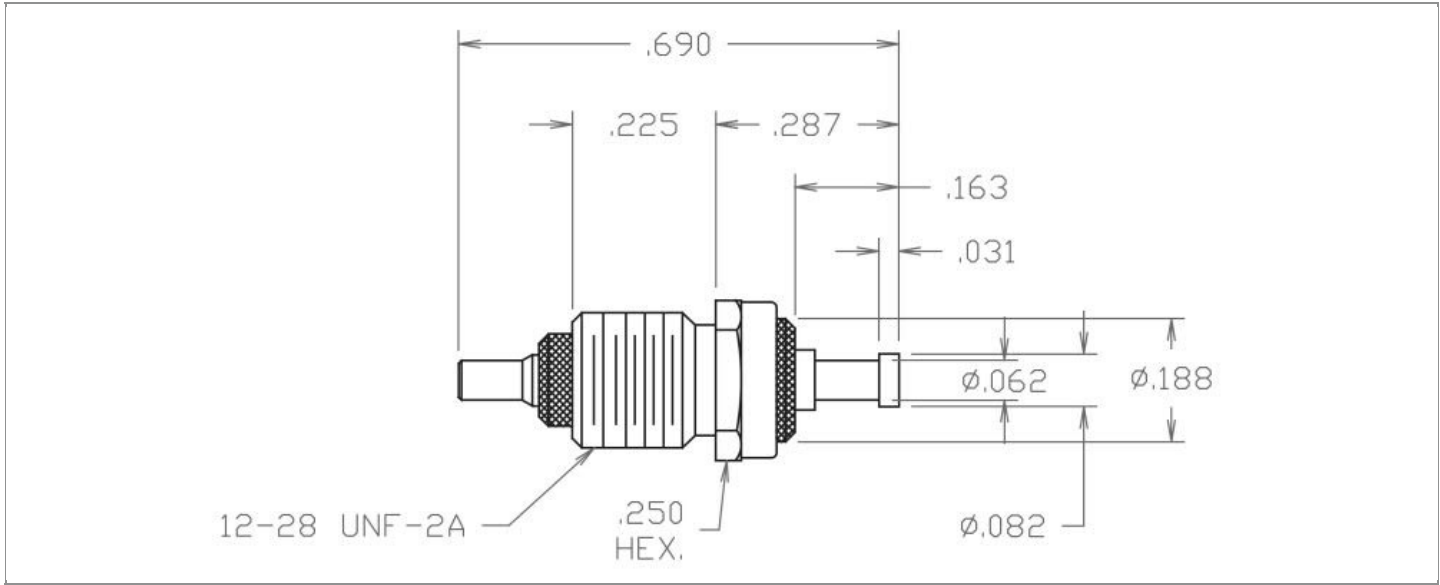


DRAWING NUMBER:	1117-01M-XXXX
PRODUCT GROUP:	TERMINALS
SUB-GROUP:	MILITARY INSULATED TERMINALS
DESCRIPTION:	PTFE INSULATED FEED THRU (TURRET/PIN) TERMINAL



PIN DIAMETER	OVERALL LENGTH	MOUNTING ORIENTATION	BOARD / PANEL MOUNTING METHOD
0.062" \pm 0.005	0.690"	VERTICAL	THREAD MOUNT (12-28 NUT)
BOARD / PANEL THICKNESS	MOUNTING HOLE SIZE	DRILL SIZE	FEED THRU COMBINATION
UP TO 3/32"	0.221" \pm 0.002	#2	TURRET/PIN

PART NO. STRUCTURE:*

1117	-	01M	-	XX	XX
PART SERIES		DIMENSION		FINISH	INSULATION COLOR

*If applicable, "Z" at the end of a PART NO. STRUCTURE indicates TERMINAL MATERIAL TYPE.

MATERIAL OPTIONS:

1117-01M-XXXX

COMPONENT	MATERIAL	MATERIAL AND SPECIFICATION
TERMINAL	BRASS	BRASS PER ASTM B16, ALLOY C36000, 1/2 HARD
BASE/METAL SLEEVE	BRASS	BRASS PER ASTM B16, ALLOY C36000, 1/2 HARD
INSULATION*	PTFE	PTFE PER ASTM D1710
NUT	BRASS	BRASS PER ASTM B16, ALLOY C36000, 1/2 HARD
WASHER	PHOSPHOR BRONZE	PHOSPHOR BRONZE PER MS35333

*For Insulation color, please see INSULATION COLOR OPTIONS on Page 2

FINISH - PLATING OPTIONS:

1117-01M-XXXX

FINISH CODE	COMPONENT	FINISH	FINISH AND SPECIFICATION
05	TERMINAL	ELECTRO-SOLDER	0.000300"MIN. ELECTRO-SOLDER PER SAE-AMS-P-81728 OVER 0.000100"MIN. COPPER PER SAE-AMS-2418
	BASE/METAL SLEEVE	NICKEL	0.000100"MIN. NICKEL PER SAE-AMS-QQ-N-290
	NUT	NICKEL	0.000100"MIN. NICKEL PER SAE-AMS-QQ-N-290
	WASHER	NICKEL	0.000100"MIN. NICKEL PER SAE-AMS-QQ-N-290
088	TERMINAL	BRIGHT TIN-LEAD	0.000300"MIN. BRIGHT TIN-LEAD (Sn93%-Pb7%) PER ASTM B545 OVER 0.000100"MIN. COPPER PER SAE-AMS-2418
	BASE/METAL SLEEVE	NICKEL	0.000100"MIN. NICKEL PER SAE-AMS-QQ-N-290
	NUT	NICKEL	0.000100"MIN. NICKEL PER SAE-AMS-QQ-N-290
	WASHER	NICKEL	0.000100"MIN. NICKEL PER SAE-AMS-QQ-N-290
095	TERMINAL	HOT SOLDER DIP	0.000100"MIN. HOT SOLDER DIP USING Sn60 PER IPC-J-STD-006 OVER 0.000100"MIN. COPPER PER SAE-AMS-2418
	BASE/METAL SLEEVE	NICKEL	0.000100"MIN. NICKEL PER SAE-AMS-QQ-N-290
	NUT	NICKEL	0.000100"MIN. NICKEL PER SAE-AMS-QQ-N-290
	WASHER	NICKEL	0.000100"MIN. NICKEL PER SAE-AMS-QQ-N-290

INSULATION COLOR OPTIONS:

1117-01M-XXXX

INSULATION COLOR	BLACK	BLUE	BROWN	GRAY	GREEN	ORANGE	RED	VIOLET	WHITE	YELLOW
COLOR CODE NO.	10	16	11	18	15	13	12	17	19	14

TOLERANCES:*

DECIMAL	FRACTIONAL	ANGULAR	DRAWING ORIGATION DATE	LAST MODIFICATION DATE
± 0.015	N/A	N/A	2/21/1996	3/1/2017

*All dimensions are in inches.

RoHS COMPLIANCE:

1117-01M-05XX

PART NUMBER	RoHS COMPLIANT
1117-01M-0510	NO
1117-01M-0511	NO
1117-01M-0512	NO
1117-01M-0513	NO
1117-01M-0514	NO
1117-01M-0515	NO
1117-01M-0516	NO
1117-01M-0517	NO
1117-01M-0518	NO
1117-01M-0519	NO

1117-01M-088XX

PART NUMBER	RoHS COMPLIANT
1117-01M-08810	NO
1117-01M-08811	NO
1117-01M-08812	NO
1117-01M-08813	NO
1117-01M-08814	NO
1117-01M-08815	NO
1117-01M-08816	NO
1117-01M-08817	NO
1117-01M-08818	NO
1117-01M-08819	NO

1117-01M-095XX

PART NUMBER	RoHS COMPLIANT
1117-01M-09510	NO
1117-01M-09511	NO
1117-01M-09512	NO
1117-01M-09513	NO
1117-01M-09514	NO
1117-01M-09515	NO
1117-01M-09516	NO
1117-01M-09517	NO
1117-01M-09518	NO
1117-01M-09519	NO

MILITARY REFERENCE SPECIFICATIONS:

1117-01M-05XX

PART NUMBER	MIL SPECIFICATION	MIL PART NUMBER	COMMERCIAL ITEM DESCRIPTION (CID) SPECIFICATION	CID PART NUMBER
1117-01M-0510	MIL-T-55155/02	M55155/020H01 (FT020A01S)	A-A-59126/02	AA59126/020H01
1117-01M-0511	MIL-T-55155/02	M55155/021H01 (FT021A01S)	A-A-59126/02	AA59126/021H01
1117-01M-0512	MIL-T-55155/02	M55155/022H01 (FT022A01S)	A-A-59126/02	AA59126/022H01
1117-01M-0513	MIL-T-55155/02	M55155/023H01 (FT023A01S)	A-A-59126/02	AA59126/023H01
1117-01M-0514	MIL-T-55155/02	M55155/024H01 (FT024A01S)	A-A-59126/02	AA59126/024H01
1117-01M-0515	MIL-T-55155/02	M55155/025H01 (FT025A01S)	A-A-59126/02	AA59126/025H01
1117-01M-0516	MIL-T-55155/02	M55155/026H01 (FT026A01S)	A-A-59126/02	AA59126/026H01
1117-01M-0517	MIL-T-55155/02	M55155/027H01 (FT027A01S)	A-A-59126/02	AA59126/027H01
1117-01M-0518	MIL-T-55155/02	M55155/028H01 (FT028A01S)	A-A-59126/02	AA59126/028H01
1117-01M-0519	MIL-T-55155/02	M55155/029H01 (FT029A01S)	A-A-59126/02	AA59126/029H01

1117-01M-088XX

PART NUMBER	MIL SPECIFICATION	MIL PART NUMBER	COMMERCIAL ITEM DESCRIPTION (CID) SPECIFICATION	CID PART NUMBER
1117-01M-08810	MIL-T-55155/02	M55155/020J01	A-A-59126/02	AA59126/020J01 (AA59126/02001)
1117-01M-08811	MIL-T-55155/02	M55155/021J01	A-A-59126/02	AA59126/021J01 (AA59126/02101)
1117-01M-08812	MIL-T-55155/02	M55155/022J01	A-A-59126/02	AA59126/022J01 (AA59126/02201)
1117-01M-08813	MIL-T-55155/02	M55155/023J01	A-A-59126/02	AA59126/023J01 (AA59126/02301)
1117-01M-08814	MIL-T-55155/02	M55155/024J01	A-A-59126/02	AA59126/024J01 (AA59126/02401)

Continued on next page...

MILITARY REFERENCE SPECIFICATIONS CONTINUED:

1117-01M-088XX

PART NUMBER	MIL SPECIFICATION	MIL PART NUMBER	COMMERCIAL ITEM DESCRIPTION (CID) SPECIFICATION	CID PART NUMBER
1117-01M-08815	MIL-T-55155/02	M55155/025J01	A-A-59126/02	AA59126/025J01 (AA59126/02501)
1117-01M-08816	MIL-T-55155/02	M55155/026J01	A-A-59126/02	AA59126/026J01 (AA59126/02601)
1117-01M-08817	MIL-T-55155/02	M55155/027J01	A-A-59126/02	AA59126/027J01 (AA59126/02701)
1117-01M-08818	MIL-T-55155/02	M55155/028J01	A-A-59126/02	AA59126/028J01 (AA59126/02801)
1117-01M-08819	MIL-T-55155/02	M55155/029J01	A-A-59126/02	AA59126/029J01 (AA59126/02901)

1117-01M-095XX

PART NUMBER	MIL SPECIFICATION	MIL PART NUMBER	COMMERCIAL ITEM DESCRIPTION (CID) SPECIFICATION	CID PART NUMBER
1117-01M-09510	MIL-T-55155/02	M55155/020I01	A-A-59126/02	AA59126/020I01
1117-01M-09511	MIL-T-55155/02	M55155/021I01	A-A-59126/02	AA59126/021I01
1117-01M-09512	MIL-T-55155/02	M55155/022I01	A-A-59126/02	AA59126/022I01
1117-01M-09513	MIL-T-55155/02	M55155/023I01	A-A-59126/02	AA59126/023I01
1117-01M-09514	MIL-T-55155/02	M55155/024I01	A-A-59126/02	AA59126/024I01
1117-01M-09515	MIL-T-55155/02	M55155/025I01	A-A-59126/02	AA59126/025I01
1117-01M-09516	MIL-T-55155/02	M55155/026I01	A-A-59126/02	AA59126/026I01
1117-01M-09517	MIL-T-55155/02	M55155/027I01	A-A-59126/02	AA59126/027I01
1117-01M-09518	MIL-T-55155/02	M55155/028I01	A-A-59126/02	AA59126/028I01
1117-01M-09519	MIL-T-55155/02	M55155/029I01	A-A-59126/02	AA59126/029I01

TOOLING:

INSTALLATION TOOL: ARBOR PRESS	INSTALLATION TOOL: ANVIL (ARBOR PRESS OPERATED)	INSTALLATION TOOL: PRESS-FIT / ROLL SWAGE / RIVET PUNCH (ARBOR PRESS OPERATED)	INSTALLATION TOOL: PRESS-FIT (HAND OPERATED)
N/A	N/A	N/A	N/A

NOTES:

DATASHEET NOTES

NUT PART NUMBER: 701-7408-02 WASHER PART NUMBER: 701-7711-02.

INSTRUCTION NOTES

SUPPLIED WITH NICKEL PLATED BRASS HEX NUT (12-28 x 1/4" x 3/32") AND NICKEL PLATED PHOSPHOR BRONZE INTERNAL TOOTH LOCKWASHER.