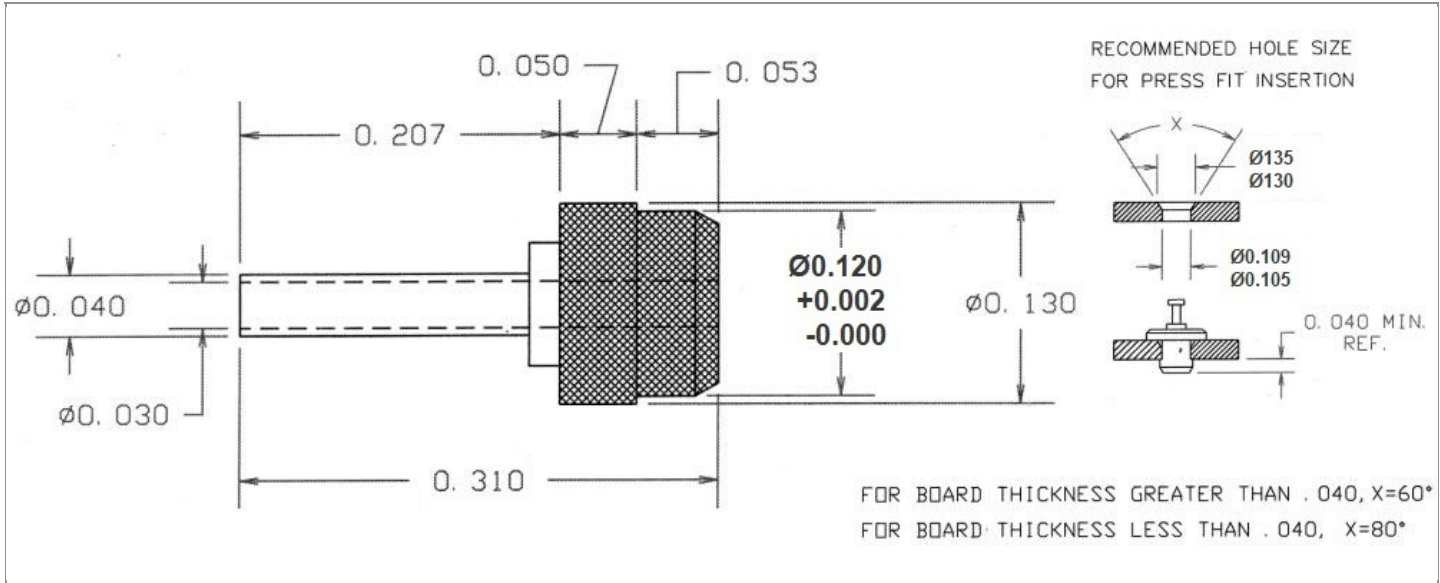


DRAWING NUMBER:	1114-08M-XXXXZ
PRODUCT GROUP:	TERMINALS
SUB-GROUP:	MILITARY INSULATED TERMINALS
DESCRIPTION:	PTFE INSULATED THRU-HOLE PIN TERMINAL



PIN DIAMETER	OVERALL LENGTH	MOUNTING ORIENTATION	BOARD / PANEL MOUNTING METHOD
0.040" ± 0.005	0.310"	VERTICAL	PRESS FIT

BOARD / PANEL THICKNESS	MOUNTING HOLE SIZE	DRILL SIZE	FEED THRU COMBINATION
UP TO 3/32"	0.108" ± 0.002	7/64"	N/A

PART NO. STRUCTURE:*

1114	-	08M	-	XX	XX
PART SERIES		DIMENSION		FINISH	INSULATION COLOR

*If applicable, "Z" at the end of a PART NO. STRUCTURE indicates TERMINAL MATERIAL TYPE.

MATERIAL OPTIONS:

1114-08M-XXXXZ

COMPONENT	MATERIAL	MATERIAL AND SPECIFICATION
TERMINAL	PHOSPHOR BRONZE	PHOSPHOR BRONZE PER ASTM B139, ALLOY C54400
BASE/METAL SLEEVE	N/A	N/A
INSULATION*	PTFE	PTFE PER ASTM D1710
NUT	N/A	N/A
WASHER	N/A	N/A

*For Insulation color, please see INSULATION COLOR OPTIONS on Page 2

FINISH - PLATING OPTIONS:

1114-08M-XXXXZ

FINISH CODE	COMPONENT	FINISH	FINISH AND SPECIFICATION
05	TERMINAL	ELECTRO-SOLDER	0.000300"MIN. ELECTRO-SOLDER PER SAE-AMS-P-81728 OVER 0.000100"MIN. NICKEL PER SAE-AMS-QQ-N-290
	BASE/METAL SLEEVE	N/A	N/A
	NUT	N/A	N/A
	WASHER	N/A	N/A
088	TERMINAL	BRIGHT TIN-LEAD	0.000300"MIN. BRIGHT TIN-LEAD (Sn93%-Pb7%) PER ASTM B545 OVER 0.000100"MIN. NICKEL PER SAE-AMS-QQ-N-290
	BASE/METAL SLEEVE	N/A	N/A
	NUT	N/A	N/A
	WASHER	N/A	N/A
095	TERMINAL	HOT SOLDER DIP	0.000100"MIN. HOT SOLDER DIP USING Sn60 PER IPC-J-STD-006 OVER 0.000100"MIN. COPPER PER SAE-AMS-2418
	BASE/METAL SLEEVE	N/A	N/A
	NUT	N/A	N/A
	WASHER	N/A	N/A

INSULATION COLOR OPTIONS:

1114-08M-XXXXZ

INSULATION COLOR	BLACK	BLUE	BROWN	GRAY	GREEN	ORANGE	RED	VIOLET	WHITE	YELLOW
COLOR CODE NO.	10	16	11	18	15	13	12	17	19	14

TOLERANCES:*

DECIMAL	FRACTIONAL	ANGULAR	DRAWING ORIENTATION DATE	LAST MODIFICATION DATE
± 0.015	± 1/64	± 3 °	3/16/1998	3/1/2017

*All dimensions are in inches.

RoHS COMPLIANCE:

1114-08M-05XXZ

PART NUMBER	RoHS COMPLIANT
1114-08M-0510Z	NO
1114-08M-0511Z	NO
1114-08M-0512Z	NO
1114-08M-0513Z	NO
1114-08M-0514Z	NO
1114-08M-0515Z	NO
1114-08M-0516Z	NO
1114-08M-0517Z	NO
1114-08M-0518Z	NO
1114-08M-0519Z	NO

1114-08M-088XXZ

PART NUMBER	RoHS COMPLIANT
1114-08M-08810Z	NO
1114-08M-08811Z	NO
1114-08M-08812Z	NO
1114-08M-08813Z	NO
1114-08M-08814Z	NO
1114-08M-08815Z	NO
1114-08M-08816Z	NO
1114-08M-08817Z	NO
1114-08M-08818Z	NO
1114-08M-08819Z	NO

1114-08M-095XXZ

PART NUMBER	RoHS COMPLIANT
1114-08M-09510Z	NO
1114-08M-09511Z	NO
1114-08M-09512Z	NO
1114-08M-09513Z	NO
1114-08M-09514Z	NO
1114-08M-09515Z	NO
1114-08M-09516Z	NO
1114-08M-09517Z	NO
1114-08M-09518Z	NO
1114-08M-09519Z	NO

MILITARY REFERENCE SPECIFICATIONS:

1114-08M-05XXZ

PART NUMBER	MIL SPECIFICATION	MIL PART NUMBER	COMMERCIAL ITEM DESCRIPTION (CID) SPECIFICATION	CID PART NUMBER
1114-08M-0510Z	MIL-T-55155/05	M55155/050B02 (FT050B02Z)	A-A-59126/05	AA59126/050B02
1114-08M-0511Z	MIL-T-55155/05	M55155/051B02 (FT051B02Z)	A-A-59126/05	AA59126/051B02
1114-08M-0512Z	MIL-T-55155/05	M55155/052B02 (FT052B02Z)	A-A-59126/05	AA59126/052B02
1114-08M-0513Z	MIL-T-55155/05	M55155/053B02 (FT053B02Z)	A-A-59126/05	AA59126/053B02
1114-08M-0514Z	MIL-T-55155/05	M55155/054B02 (FT054B02Z)	A-A-59126/05	AA59126/054B02
1114-08M-0515Z	MIL-T-55155/05	M55155/055B02 (FT055B02Z)	A-A-59126/05	AA59126/055B02
1114-08M-0516Z	MIL-T-55155/05	M55155/056B02 (FT056B02Z)	A-A-59126/05	AA59126/056B02
1114-08M-0517Z	MIL-T-55155/05	M55155/057B02 (FT057B02Z)	A-A-59126/05	AA59126/057B02
1114-08M-0518Z	MIL-T-55155/05	M55155/058B02 (FT058B02Z)	A-A-59126/05	AA59126/058B02
1114-08M-0519Z	MIL-T-55155/05	M55155/059B02 (FT059B02Z)	A-A-59126/05	AA59126/059B02

1114-08M-088XXZ

PART NUMBER	MIL SPECIFICATION	MIL PART NUMBER	COMMERCIAL ITEM DESCRIPTION (CID) SPECIFICATION	CID PART NUMBER
1114-08M-08810Z	MIL-T-55155/05	M55155/050D02	A-A-59126/05	AA59126/050D02
1114-08M-08811Z	MIL-T-55155/05	M55155/051D02	A-A-59126/05	AA59126/051D02
1114-08M-08812Z	MIL-T-55155/05	M55155/052D02	A-A-59126/05	AA59126/052D02
1114-08M-08813Z	MIL-T-55155/05	M55155/053D02	A-A-59126/05	AA59126/053D02
1114-08M-08814Z	MIL-T-55155/05	M55155/054D02	A-A-59126/05	AA59126/054D02

Continued on next page...

MILITARY REFERENCE SPECIFICATIONS CONTINUED:

1114-08M-088XXZ

PART NUMBER	MIL SPECIFICATION	MIL PART NUMBER	COMMERCIAL ITEM DESCRIPTION (CID) SPECIFICATION	CID PART NUMBER
1114-08M-08815Z	MIL-T-55155/05	M55155/055D02	A-A-59126/05	AA59126/055D02
1114-08M-08816Z	MIL-T-55155/05	M55155/056D02	A-A-59126/05	AA59126/056D02
1114-08M-08817Z	MIL-T-55155/05	M55155/057D02	A-A-59126/05	AA59126/057D02
1114-08M-08818Z	MIL-T-55155/05	M55155/058D02	A-A-59126/05	AA59126/058D02
1114-08M-08819Z	MIL-T-55155/05	M55155/059D02	A-A-59126/05	AA59126/059D02

1114-08M-095XXZ

PART NUMBER	MIL SPECIFICATION	MIL PART NUMBER	COMMERCIAL ITEM DESCRIPTION (CID) SPECIFICATION	CID PART NUMBER
1114-08M-09510Z	MIL-T-55155/05	M55155/050C02	A-A-59126/05	AA59126/050C02
1114-08M-09511Z	MIL-T-55155/05	M55155/051C02	A-A-59126/05	AA59126/051C02
1114-08M-09512Z	MIL-T-55155/05	M55155/052C02	A-A-59126/05	AA59126/052C02
1114-08M-09513Z	MIL-T-55155/05	M55155/053C02	A-A-59126/05	AA59126/053C02
1114-08M-09514Z	MIL-T-55155/05	M55155/054C02	A-A-59126/05	AA59126/054C02
1114-08M-09515Z	MIL-T-55155/05	M55155/055C02	A-A-59126/05	AA59126/055C02
1114-08M-09516Z	MIL-T-55155/05	M55155/056C02	A-A-59126/05	AA59126/056C02
1114-08M-09517Z	MIL-T-55155/05	M55155/057C02	A-A-59126/05	AA59126/057C02
1114-08M-09518Z	MIL-T-55155/05	M55155/058C02	A-A-59126/05	AA59126/058C02
1114-08M-09519Z	MIL-T-55155/05	M55155/059C02	A-A-59126/05	AA59126/059C02

TOOLING:

INSTALLATION TOOL: ARBOR PRESS	INSTALLATION TOOL: ANVIL (ARBOR PRESS OPERATED)	INSTALLATION TOOL: PRESS-FIT / ROLL SWAGE / RIVET PUNCH (ARBOR PRESS OPERATED)	INSTALLATION TOOL: PRESS-FIT (HAND OPERATED)
TM1	TA1114-08	TPI1114-08	TTI1114-08

NOTES:

DATASHEET NOTES

N/A

INSTRUCTION NOTES

SEE GENERAL PRESS FIT INSTALLATION INSTRUCTION ON CONCORD ELECTRONICS' WEBSITE WWW.CONCORD-ELECTRONICS.COM.