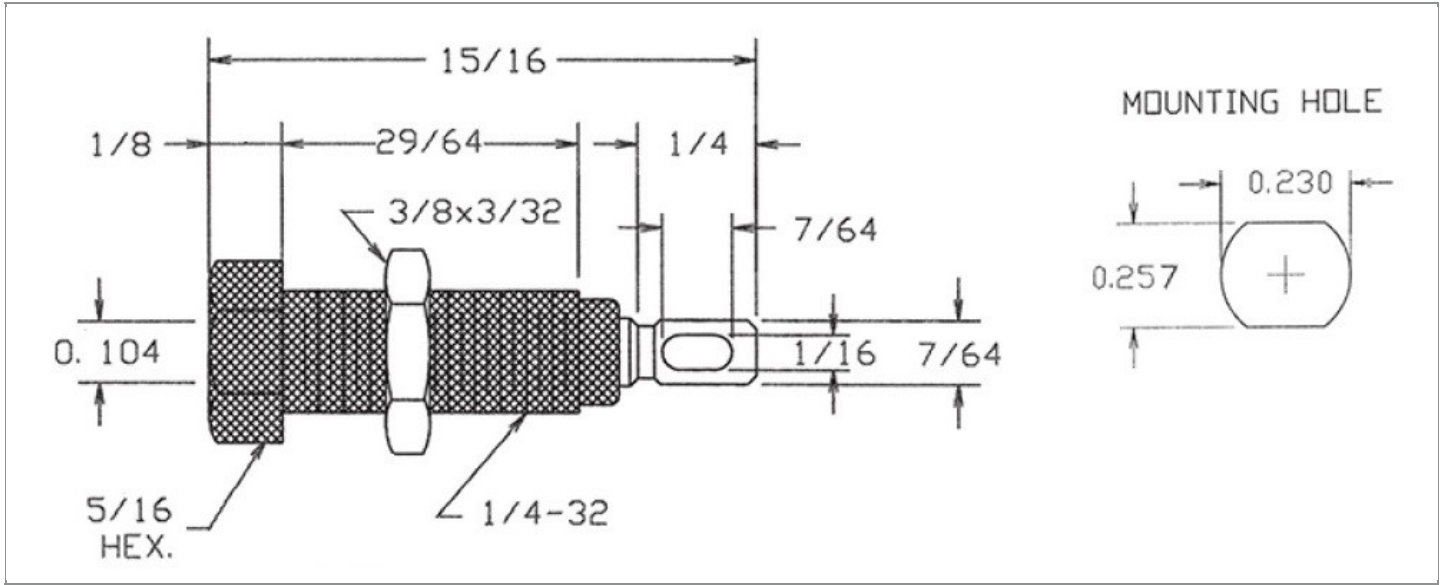


DRAWING NUMBER:	09-9140-1-XXXX
PRODUCT GROUP:	BANANA PLUGS, JACKS AND PHONE TIPS
SUB-GROUP:	INSULATED BANANA JACKS
DESCRIPTION:	INSULATED MINIATURE BANANA PANEL JACK



ACCEPTS PIN / PLUG / JACK SIZE	OVERALL LENGTH	MIN. HOLE DEPTH	BOARD / PANEL MOUNTING METHOD
MINIATURE BANANA PLUG	0.938"	0.320"	THREAD MOUNT (1/4-32 NUT)
MOUNTING HOLE SIZE	DRILL SIZE	BOARD / PANEL THICKNESS	
0.257" x 0.230" DOUBLE "D" HOLE	F	UP TO 1/4"	

PART NO. STRUCTURE:

09-9140	-	1	-	XX	XX
PART SERIES		DIMENSION		FINISH	INSULATION COLOR

MATERIAL OPTIONS:

09-9140-1-XXXX

COMPONENT	MATERIAL	MATERIAL AND SPECIFICATION
BODY	BRASS	BRASS PER ASTM B16, ALLOY C36000, 1/2 HARD
JACK SPRING	N/A	N/A
INSULATION*	NYLON	NYLON PER ASTM D4066
PIN	N/A	N/A
NUT	BRASS	BRASS PER ASTM B16, ALLOY C36000, 1/2 HARD
WASHER	N/A	N/A
LUG	N/A	N/A

*For Insulation color, please see INSULATION COLOR OPTIONS on Page 2

FINISH - PLATING OPTIONS:

09-9140-1-XXXX

FINISH CODE	COMPONENT	FINISH	FINISH AND SPECIFICATION
03	BODY	GOLD	GOLD FLASH PER ASTM B488, TYPE II, CODE C OVER NICKEL PER SAE-AMS-QQ-N-290
	JACK SPRING	N/A	N/A
	PIN	N/A	N/A
	NUT	NICKEL	0.000100"MIN. NICKEL PER SAE-AMS-QQ-N-290
	WASHER	N/A	N/A
	LUG	N/A	N/A
044	BODY	BRIGHT ELECTRO-TIN	0.000200"MIN. BRIGHT ELECTRO-TIN PER ASTM B545 OVER 0.000100"MIN. NICKEL PER SAE-AMS-QQ-N-290
	JACK SPRING	N/A	N/A
	PIN	N/A	N/A
	NUT	NICKEL	0.000100"MIN. NICKEL PER SAE-AMS-QQ-N-290
	WASHER	N/A	N/A
	LUG	N/A	N/A

INSULATION COLOR OPTIONS:

09-9140-1-XXXX

INSULATION COLOR	BLACK	BROWN	RED	ORANGE	YELLOW	GREEN	BLUE	VIOLET	GRAY	WHITE
COLOR CODE NO.	10	11	12	13	14	15	16	17	18	19

TOLERANCES:*

DECIMAL	FRACTIONAL	ANGULAR	DRAWING ORIENTATION DATE	LAST MODIFICATION DATE
± 0.010	± 1/64	N/A	1/17/1997	4/1/2017

*All dimensions are in inches.

RoHS COMPLIANCE:

09-9140-1-03XX

PART NUMBER	RoHS COMPLIANT
09-9140-1-0310	YES
09-9140-1-0311	YES
09-9140-1-0312	YES
09-9140-1-0313	YES
09-9140-1-0314	YES
09-9140-1-0315	YES
09-9140-1-0316	YES
09-9140-1-0317	YES
09-9140-1-0318	YES
09-9140-1-0319	YES

09-9140-1-044XX

PART NUMBER	RoHS COMPLIANT
09-9140-1-04410	YES
09-9140-1-04411	YES
09-9140-1-04412	YES
09-9140-1-04413	YES
09-9140-1-04414	YES
09-9140-1-04415	YES
09-9140-1-04416	YES
09-9140-1-04417	YES
09-9140-1-04418	YES
09-9140-1-04419	YES

NOTES:

DATASHEET NOTES

RATED: 10 AMPERES CAPACITY. ACCEPTS MINIATURE BANANA PLUG. MOUNTS IN ROUND HOLE IN PANEL. PART IS COMPLETELY INSULATED FROM CHASIS. NUT PART NUMBER: 701-7415-02.

INSTRUCTION NOTES

SUPPLIED WITH NICKEL PLATED BRASS HEX NUT (1/4-32 x 3/8" x 3/32").