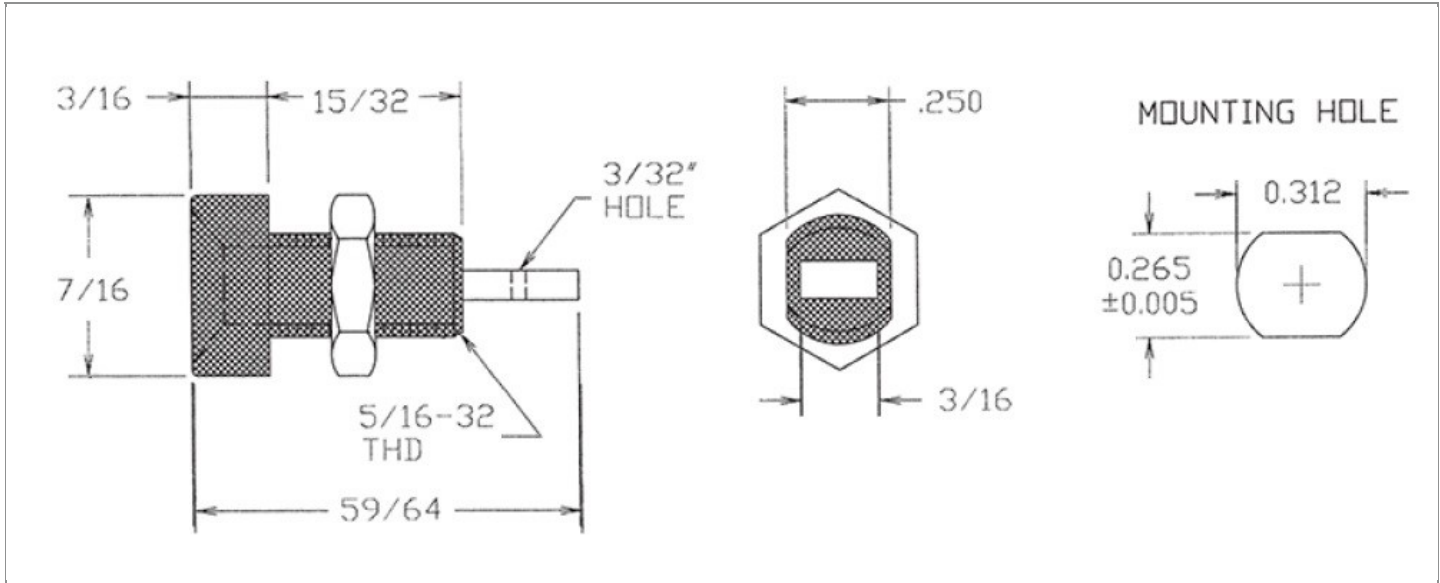


<b>DRAWING NUMBER:</b>	<b>09-9126-1-XXXX</b>
<b>PRODUCT GROUP:</b>	BANANA PLUGS, JACKS AND PHONE TIPS
<b>SUB-GROUP:</b>	INSULATED BANANA JACKS
<b>DESCRIPTION:</b>	INSULATED STANDARD BANANA PANEL JACK



ACCEPTS PIN / PLUG / JACK SIZE	OVERALL LENGTH	MIN. HOLE DEPTH	BOARD / PANEL MOUNTING METHOD
STANDARD BANANA PLUG	0.922"	0.596"	THREAD MOUNT (5/16-32 NUT)

MOUNTING HOLE SIZE	DRILL SIZE	BOARD / PANEL THICKNESS
0.312" x 0.250" DOUBLE "D" HOLE	5/16"	UP TO 5/16"

**PART NO. STRUCTURE:**

<b>09-9126</b>	-	<b>1</b>	-	<b>XX</b>	<b>XX</b>
PART SERIES		DIMENSION		FINISH	INSULATION COLOR

**MATERIAL OPTIONS:**

**09-9126-1-XXXX**

COMPONENT	MATERIAL	MATERIAL AND SPECIFICATION
<b>BODY</b>	RED BRASS (85% COPPER)	RED BRASS (85% COPPER) PER ASTM B36, ALLOY C23000
<b>JACK SPRING</b>	N/A	N/A
<b>INSULATION*</b>	NYLON	NYLON PER ASTM D4066
<b>PIN</b>	N/A	N/A
<b>NUT</b>	BRASS	BRASS PER ASTM B16, ALLOY C36000, 1/2 HARD
<b>WASHER</b>	N/A	N/A
<b>LUG</b>	N/A	N/A

\*For Insulation color, please see INSULATION COLOR OPTIONS on Page 2

FINISH - PLATING OPTIONS:

09-9126-1-XXXX

FINISH CODE	COMPONENT	FINISH	FINISH AND SPECIFICATION
03	BODY	GOLD	GOLD FLASH PER ASTM B488, TYPE II, CODE C OVER NICKEL PER SAE-AMS-QQ-N-290
	JACK SPRING	N/A	N/A
	PIN	N/A	N/A
	NUT	NICKEL	0.000100"MIN. NICKEL PER SAE-AMS-QQ-N-290
	WASHER	N/A	N/A
	LUG	N/A	N/A
044	BODY	BRIGHT ELECTRO-TIN	0.000200"MIN. BRIGHT ELECTRO-TIN PER ASTM B545 OVER 0.000100"MIN. NICKEL PER SAE-AMS-QQ-N-290
	JACK SPRING	N/A	N/A
	PIN	N/A	N/A
	NUT	NICKEL	0.000100"MIN. NICKEL PER SAE-AMS-QQ-N-290
	WASHER	N/A	N/A
	LUG	N/A	N/A

INSULATION COLOR OPTIONS:

09-9126-1-XXXX

INSULATION COLOR	BLACK	BROWN	RED	ORANGE	YELLOW	GREEN	BLUE	VIOLET	GRAY	WHITE
COLOR CODE NO.	10	11	12	13	14	15	16	17	18	19

TOLERANCES:\*

DECIMAL	FRACTIONAL	ANGULAR	DRAWING ORIENTATION DATE	LAST MODIFICATION DATE
± 0.010	± 1/64	N/A	12/7/1995	4/1/2017

\*All dimensions are in inches.

RoHS COMPLIANCE:

09-9126-1-03XX

PART NUMBER	RoHS COMPLIANT
09-9126-1-0310	YES
09-9126-1-0311	YES
09-9126-1-0312	YES
09-9126-1-0313	YES
09-9126-1-0314	YES
09-9126-1-0315	YES
09-9126-1-0316	YES
09-9126-1-0317	YES
09-9126-1-0318	YES
09-9126-1-0319	YES

09-9126-1-044XX

PART NUMBER	RoHS COMPLIANT
09-9126-1-04410	YES
09-9126-1-04411	YES
09-9126-1-04412	YES
09-9126-1-04413	YES
09-9126-1-04414	YES
09-9126-1-04415	YES
09-9126-1-04416	YES
09-9126-1-04417	YES
09-9126-1-04418	YES
09-9126-1-04419	YES

NOTES:

**DATASHEET NOTES**

RATED: 15 AMPERES CONTINUOUS DUTY. ACCEPTS STANDARD BANANA PLUG. MOUNTS IN ROUND OR DOUBLE "D" HOLE IN PANEL. NUT PART NUMBER: 701-7419-02.

**INSTRUCTION NOTES**

SUPPLIED WITH NICKEL PLATED BRASS HEX NUT (5/16-32 x 7/16" x 0.101").