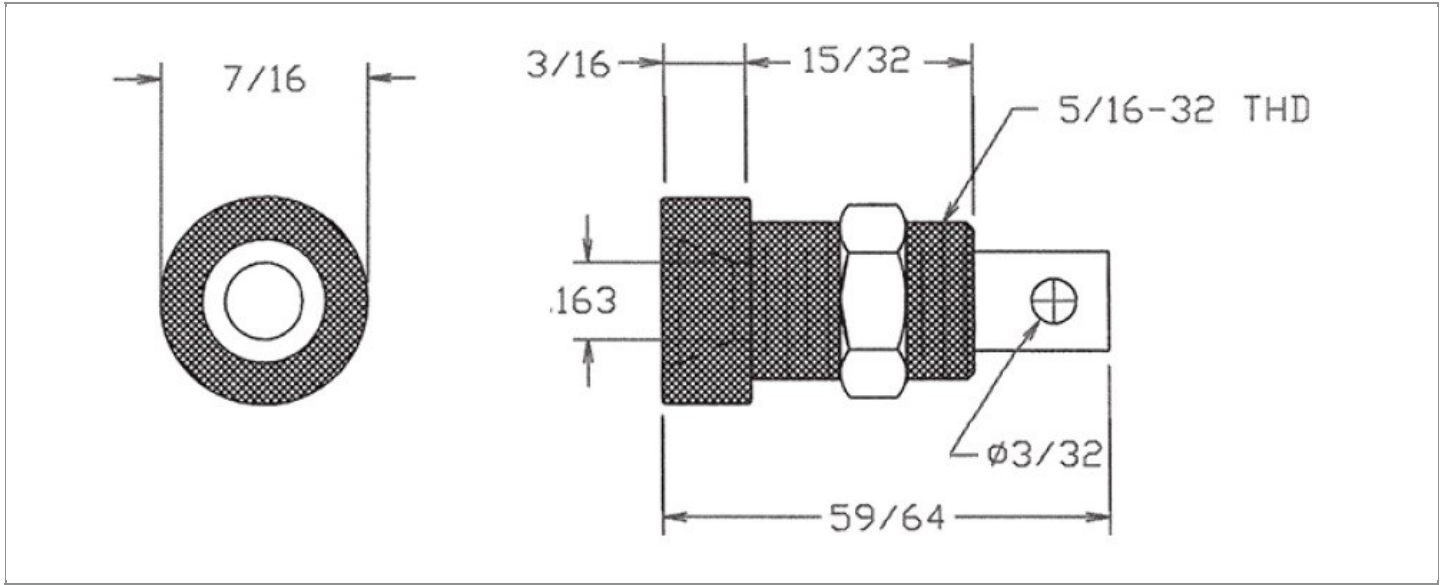


DRAWING NUMBER:	09-9125-1-XXXX
PRODUCT GROUP:	BANANA PLUGS, JACKS AND PHONE TIPS
SUB-GROUP:	INSULATED BANANA JACKS
DESCRIPTION:	INSULATED STANDARD BANANA PANEL JACK



ACCEPTS PIN / PLUG / JACK SIZE	OVERALL LENGTH	MIN. HOLE DEPTH	BOARD / PANEL MOUNTING METHOD
STANDARD BANANA PLUG	0.922"	0.596"	THREAD MOUNT (5/16-32 NUT)
MOUNTING HOLE SIZE	DRILL SIZE	BOARD / PANEL THICKNESS	
0.312" ± 0.002	5/16"	UP TO 5/16"	

PART NO. STRUCTURE:

09-9125	-	1	-	XX	XX
PART SERIES		DIMENSION		FINISH	INSULATION COLOR

MATERIAL OPTIONS:

09-9125-1-XXXX

COMPONENT	MATERIAL	MATERIAL AND SPECIFICATION
BODY	RED BRASS (85% COPPER)	RED BRASS (85% COPPER) PER ASTM B36, ALLOY C23000
JACK SPRING	N/A	N/A
INSULATION*	NYLON	NYLON PER ASTM D4066
PIN	N/A	N/A
NUT	BRASS	BRASS PER ASTM B16, ALLOY C36000, 1/2 HARD
WASHER	N/A	N/A
LUG	N/A	N/A

*For Insulation color, please see INSULATION COLOR OPTIONS on Page 2

FINISH - PLATING OPTIONS:

09-9125-1-XXXX

FINISH CODE	COMPONENT	FINISH	FINISH AND SPECIFICATION
03	BODY	GOLD	GOLD FLASH PER ASTM B488, TYPE II, CODE C OVER NICKEL PER SAE-AMS-QQ-N-290
	JACK SPRING	N/A	N/A
	PIN	N/A	N/A
	NUT	NICKEL	0.000100"MIN. NICKEL PER SAE-AMS-QQ-N-290
	WASHER	N/A	N/A
	LUG	N/A	N/A
044	BODY	BRIGHT ELECTRO-TIN	0.000200"MIN. BRIGHT ELECTRO-TIN PER ASTM B545 OVER 0.000100"MIN. NICKEL PER SAE-AMS-QQ-N-290
	JACK SPRING	N/A	N/A
	PIN	N/A	N/A
	NUT	NICKEL	0.000100"MIN. NICKEL PER SAE-AMS-QQ-N-290
	WASHER	N/A	N/A
	LUG	N/A	N/A

INSULATION COLOR OPTIONS:

09-9125-1-XXXX

INSULATION COLOR	BLACK	BROWN	RED	ORANGE	YELLOW	GREEN	BLUE	VIOLET	GRAY	WHITE
COLOR CODE NO.	10	11	12	13	14	15	16	17	18	19

TOLERANCES:*

DECIMAL	FRACTIONAL	ANGULAR	DRAWING ORIENTATION DATE	LAST MODIFICATION DATE
± 0.010	N/A	N/A	1/22/1998	4/1/2017

*All dimensions are in inches.

RoHS COMPLIANCE:

09-9125-1-03XX

PART NUMBER	RoHS COMPLIANT
09-9125-1-0310	YES
09-9125-1-0311	YES
09-9125-1-0312	YES
09-9125-1-0313	YES
09-9125-1-0314	YES
09-9125-1-0315	YES
09-9125-1-0316	YES
09-9125-1-0317	YES
09-9125-1-0318	YES
09-9125-1-0319	YES

09-9125-1-044XX

PART NUMBER	RoHS COMPLIANT
09-9125-1-04410	YES
09-9125-1-04411	YES
09-9125-1-04412	YES
09-9125-1-04413	YES
09-9125-1-04414	YES
09-9125-1-04415	YES
09-9125-1-04416	YES
09-9125-1-04417	YES
09-9125-1-04418	YES
09-9125-1-04419	YES

NOTES:

DATASHEET NOTES

RATED: 15 AMPERES CONTINUOUS DUTY. ACCEPTS STANDARD BANANA PLUG. MOUNTS IN ROUND HOLE IN PANEL. NUT PART NUMBER: 701-7419-02.

INSTRUCTION NOTES

SUPPLIED WITH NICKEL PLATED BRASS HEX NUT (5/16-32 x 7/16" x 0.101").