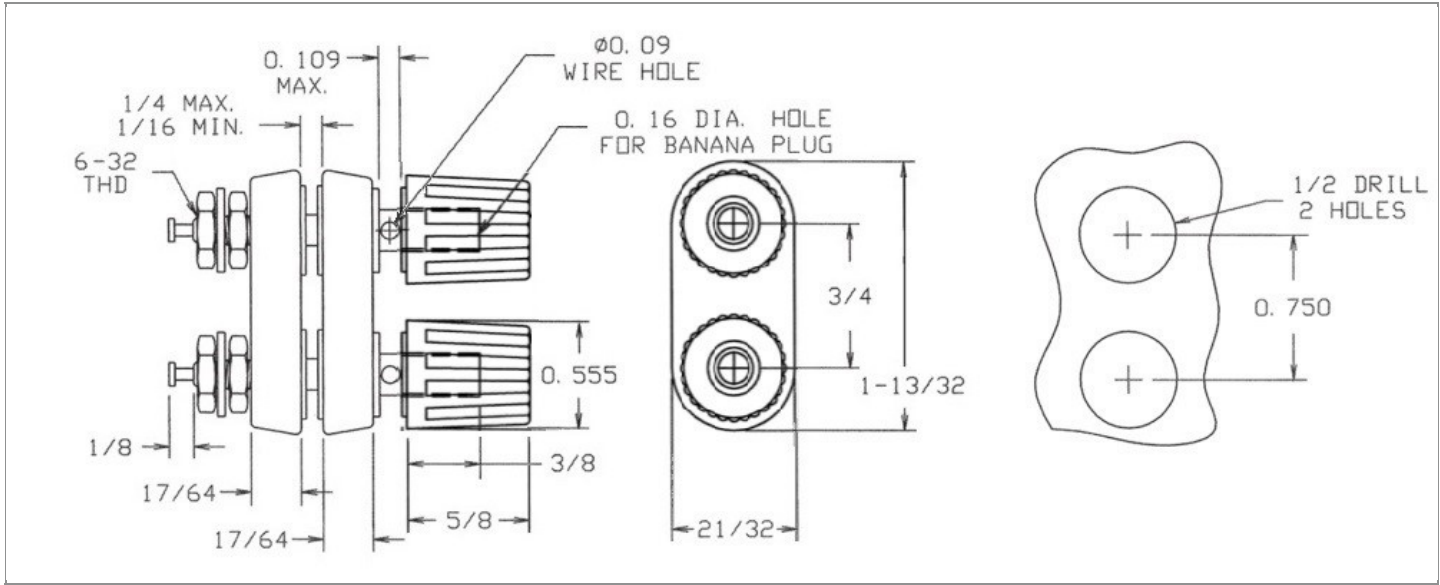


|                        |                                     |
|------------------------|-------------------------------------|
| <b>DRAWING NUMBER:</b> | <b>01-1516-1-XXXX</b>               |
| <b>PRODUCT GROUP:</b>  | BINDING POSTS                       |
| <b>SUB-GROUP:</b>      | COMMERCIAL BINDING POSTS            |
| <b>DESCRIPTION:</b>    | DUAL FLUTED HEAD 5 WAY BINDING POST |



| ACCEPTS<br>PIN / PLUG / JACK SIZE         | OVERALL LENGTH | BOARD / PANEL<br>MOUNTING METHOD |
|---|----------------|----------------------------------|
| STANDARD BANANA PLUG                      | 1.875" MAX.    | THREAD MOUNT (6-32 NUT)          |
| MOUNTING HOLE SIZE                        | DRILL SIZE     | BOARD / PANEL THICKNESS          |
| TWO 1/2" HOLES WITH 3/4" DISTANCE BETWEEN | 1/2"           | 1/16" - 1/4"                     |

### PART NO. STRUCTURE:

|                |   |           |   |           |                  |
|----------------|---|-----------|---|-----------|------------------|
| <b>01-1516</b> | - | <b>1</b>  | - | <b>XX</b> | <b>XX</b>        |
| PART SERIES    |   | DIMENSION |   | FINISH    | INSULATION COLOR |

### MATERIAL OPTIONS:

**01-1516-1-XXXX**

| COMPONENT          | MATERIAL      | MATERIAL AND SPECIFICATION                 |
|--------------------|---------------|--|
| <b>BODY</b>        | BRASS         | BRASS PER ASTM B16, ALLOY C36000, 1/2 HARD |
| <b>HEAD</b>        | POLYCARBONATE | POLYCARBONATE PER ASTM D3935               |
| <b>INSULATION*</b> | POLYCARBONATE | POLYCARBONATE PER ASTM D3935               |
| <b>JACK SPRING</b> | N/A           | N/A  |
| <b>NUT</b>         | BRASS         | BRASS PER ASTM B16, ALLOY C36000, 1/2 HARD |
| <b>WASHER</b>      | BRASS         | BRASS                                      |

\*For Insulation color, please see INSULATION COLOR OPTIONS on Page 2

FINISH - PLATING OPTIONS:

01-1516-1-XXXX

| FINISH CODE | COMPONENT   | FINISH             | FINISH AND SPECIFICATION  |
|-------------|-------------|--------------------|---|
| 02          | BODY        | BRIGHT ELECTRO-TIN | 0.000100"MIN. BRIGHT ELECTRO-TIN PER ASTM B545 OVER NICKEL PER SAE-AMS-QQ-N-290 |
|             | HEAD        | N/A                | N/A   |
|             | JACK SPRING | N/A                | N/A   |
|             | NUT         | NICKEL             | 0.000100"MIN. NICKEL PER SAE-AMS-QQ-N-290                                       |
|             | WASHER      | NICKEL             | 0.000100"MIN. NICKEL PER SAE-AMS-QQ-N-290                                       |
| 03          | BODY        | GOLD               | GOLD FLASH PER ASTM B488, TYPE II, CODE C OVER NICKEL PER SAE-AMS-QQ-N-290      |
|             | HEAD        | N/A                | N/A   |
|             | JACK SPRING | N/A                | N/A   |
|             | NUT         | GOLD               | GOLD FLASH PER ASTM B488, TYPE II, CODE C OVER NICKEL PER SAE-AMS-QQ-N-290      |
|             | WASHER      | GOLD               | GOLD FLASH PER ASTM B488, TYPE II, CODE C OVER NICKEL PER SAE-AMS-QQ-N-290      |

INSULATION COLOR OPTIONS:

01-1516-1-XXXX

| INSULATION COLOR | BLACK | COMBINATION RED AND BLACK | RED |
|------------------|-------|---------------------------|-----|
| COLOR CODE NO.   | 10    | 00                        | 12  |

TOLERANCES:\*

| DECIMAL                   | FRACTIONAL | ANGULAR | DRAWING ORIGATION DATE | LAST MODIFICATION DATE |
|---------------------------|------------|---------|------------------------|------------------------|
| .XXX ± 0.005 / .XX ± 0.01 | ± 1/64     | N/A     | 2/6/2003               | 5/1/2017               |

\*All dimensions are in inches.

RoHS COMPLIANCE:

01-1516-1-02XX

| PART NUMBER    | RoHS COMPLIANT |
|----------------|----------------|
| 01-1516-1-0200 | YES            |
| 01-1516-1-0210 | YES            |
| 01-1516-1-0212 | YES            |

01-1516-1-03XX

| PART NUMBER    | RoHS COMPLIANT |
|----------------|----------------|
| 01-1516-1-0300 | YES            |
| 01-1516-1-0310 | YES            |
| 01-1516-1-0312 | YES            |

NOTES:

**DATASHEET NOTES**

RATED: 15 AMPERES CURRENT CAPACITY. POST IS COMPLETELY INSULATED FROM CHASSIS. FOR PANELS FROM 1/16" TO 1/4" THICK. FIVE WAY BINDING POST: ACCEPTS STANDARD BANANA PLUG, CLIP LEAD TO SHAFT, LOOP UP TO 14 AWG WIRE AROUND SHAFT AND CLAMP WITH HEAD, INSERT WIRE THRU CROSS HOLE AND CLAMP WITH HEAD, SPADE LUG CLAMPED WITH HEAD. 01-1516-1-0210 and 01-1516-0310 HAVE BLACK HEADS. 01-1516-1-0212 and 01-1516-1-0312 HAVE RED HEADS. 01-1516-1-0200 HAS ONE BLACK HEAD AND ONE RED HEAD. SUPPLIED WITH HARDWARE AND MOLDED BLACK POLYCARBONATE PLATE.

**INSTRUCTION NOTES**

P/N 01-1516-1-02XX SUPPLIED WITH: TWO NICKEL PLATED BRASS HEX NUTS P/N 701-7320-02 (6-32 x 5/16" x 7/64"), TWO NICKEL PLATED BRASS #6 FLAT WASHERS P/N 701-7764-02, MOLDED BLACK POLYCARBONATE PLATE. INSERT - NICKEL PLATED BRASS. P/N 01-1506-1-03XX SUPPLIED WITH: TWO GOLD PLATED BRASS HEX NUTS P/N 701-7320-03 (6-32 x 5/16" x 7/64"), TWO GOLD PLATED BRASS #6 FLAT WASHERS P/N 701-7764-03, MOLDED BLACK POLYCARBONATE PLATE. INSERT - GOLD PLATED BRASS.