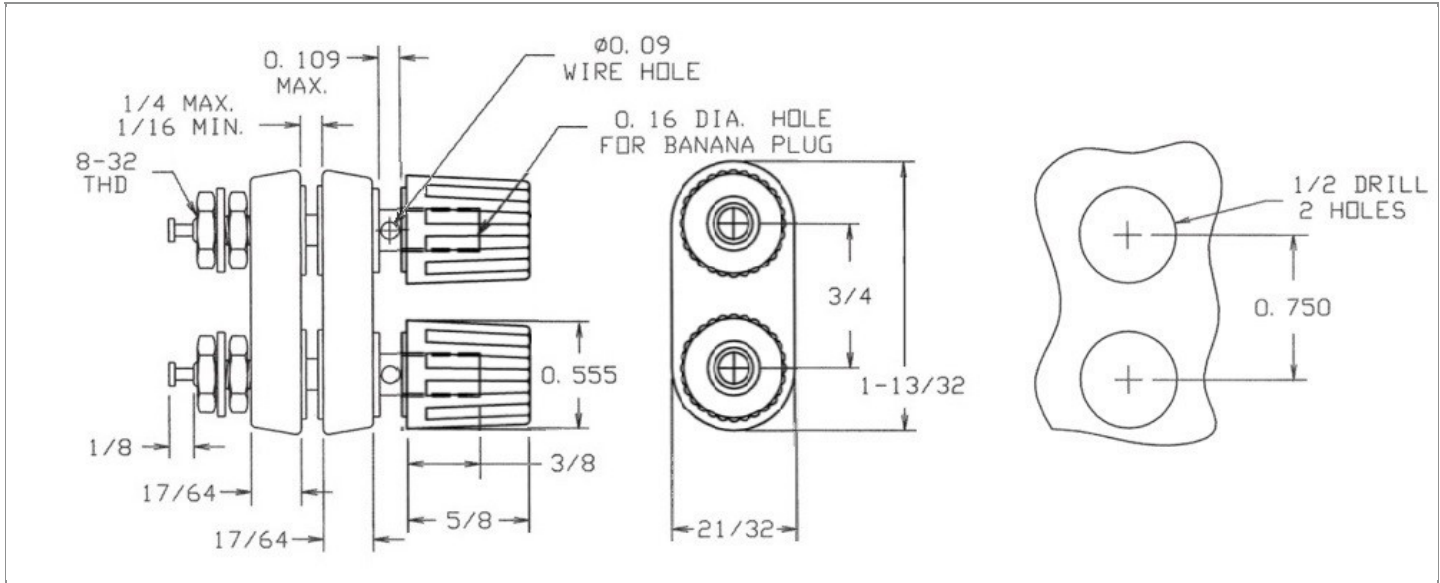


DRAWING NUMBER:	01-1508-1-XXXX
PRODUCT GROUP:	BINDING POSTS
SUB-GROUP:	COMMERCIAL BINDING POSTS
DESCRIPTION:	DUAL FLUTED HEAD 5 WAY BINDING POST



ACCEPTS PIN / PLUG / JACK SIZE	OVERALL LENGTH	BOARD / PANEL MOUNTING METHOD
STANDARD BANANA PLUG	1.875" MAX.	THREAD MOUNT (8-32 NUT)
MOUNTING HOLE SIZE	DRILL SIZE	BOARD / PANEL THICKNESS
TWO 1/2" HOLES WITH 3/4" DISTANCE BETWEEN	1/2"	1/16" - 1/4"

PART NO. STRUCTURE:

01-1508	-	1	-	XX	XX
PART SERIES		DIMENSION		FINISH	INSULATION COLOR

MATERIAL OPTIONS:

01-1508-1-XXXX

COMPONENT	MATERIAL	MATERIAL AND SPECIFICATION
BODY	BRASS	BRASS PER ASTM B16, ALLOY C36000, 1/2 HARD
HEAD	POLYCARBONATE	POLYCARBONATE PER ASTM D3935
INSULATION*	POLYCARBONATE	POLYCARBONATE PER ASTM D3935
JACK SPRING	N/A	N/A
NUT	BRASS	BRASS PER ASTM B16, ALLOY C36000, 1/2 HARD
WASHER	BRASS	BRASS

*For Insulation color, please see INSULATION COLOR OPTIONS on Page 2

FINISH - PLATING OPTIONS:

01-1508-1-XXXX

FINISH CODE	COMPONENT	FINISH	FINISH AND SPECIFICATION
02	BODY	BRIGHT ELECTRO-TIN	0.000100"MIN. BRIGHT ELECTRO-TIN PER ASTM B545 OVER NICKEL PER SAE-AMS-QQ-N-290
	HEAD	N/A	N/A
	JACK SPRING	N/A	N/A
	NUT	NICKEL	0.000100"MIN. NICKEL PER SAE-AMS-QQ-N-290
	WASHER	NICKEL	0.000100"MIN. NICKEL PER SAE-AMS-QQ-N-290
03	BODY	GOLD	GOLD FLASH PER ASTM B488, TYPE II, CODE C OVER NICKEL PER SAE-AMS-QQ-N-290
	HEAD	N/A	N/A
	JACK SPRING	N/A	N/A
	NUT	GOLD	GOLD FLASH PER ASTM B488, TYPE II, CODE C OVER NICKEL PER SAE-AMS-QQ-N-290
	WASHER	GOLD	GOLD FLASH PER ASTM B488, TYPE II, CODE C OVER NICKEL PER SAE-AMS-QQ-N-290

INSULATION COLOR OPTIONS:

01-1508-1-XXXX

INSULATION COLOR	BLACK	COMBINATION RED AND BLACK	RED
COLOR CODE NO.	10	00	12

TOLERANCES:*

DECIMAL	FRACTIONAL	ANGULAR	DRAWING ORIGATION DATE	LAST MODIFICATION DATE
.XXX ± 0.005 / .XX ± 0.01	± 1/64	N/A	5/5/1998	5/1/2017

*All dimensions are in inches.

RoHS COMPLIANCE:

01-1508-1-02XX

PART NUMBER	RoHS COMPLIANT
01-1508-1-0200	YES
01-1508-1-0210	YES
01-1508-1-0212	YES

01-1508-1-03XX

PART NUMBER	RoHS COMPLIANT
01-1508-1-0300	YES
01-1508-1-0310	YES
01-1508-1-0312	YES

NOTES:

DATASHEET NOTES

RATED: 30 AMPERES CURRENT CAPACITY, 1000 VDC WORKING LIMIT. POST IS COMPLETELY INSULATED FROM CHASSIS. FOR PANELS FROM 1/16" TO 1/4" THICK. FIVE WAY BINDING POST: ACCEPTS STANDARD BANANA PLUG, CLIP LEAD TO SHAFT, LOOP UP TO 14 AWG WIRE AROUND SHAFT AND CLAMP WITH HEAD, INSERT WIRE THRU CROSS HOLE AND CLAMP WITH HEAD, SPADE LUG CLAMPED WITH HEAD. 01-1508-1-0210 AND 01-1508-1-0310 HAVE BLACK HEADS. 01-1508-1-0212 AND 01-1508-1-0312 HAVE RED HEADS. 01-1508-1-0200 HAS ONE BLACK HEAD AND ONE RED HEAD. SUPPLIED WITH HARDWARE AND MOLDED BLACK POLYCARBONATE PLATE.

INSTRUCTION NOTES

P/N 01-1508-1-02XX SUPPLIED WITH: TWO NICKEL PLATED BRASS HEX NUTS P/N 701-7323-02 (8-32 x 11/32" x 1/8"), TWO NICKEL PLATED BRASS #8 FLAT WASHERS P/N 701-7763-02, MOLDED BLACK POLYCARBONATE PLATE. INSERT - NICKEL PLATED BRASS. P/N 01-1508-1-03XX SUPPLIED WITH: TWO GOLD PLATED BRASS HEX NUTS P/N 701-7323-03 (8-32 x 11/32" x 1/8"), TWO GOLD PLATED BRASS #8 FLAT WASHERS P/N 701-7763-03, MOLDED BLACK POLYCARBONATE PLATE. INSERT - GOLD PLATED BRASS.