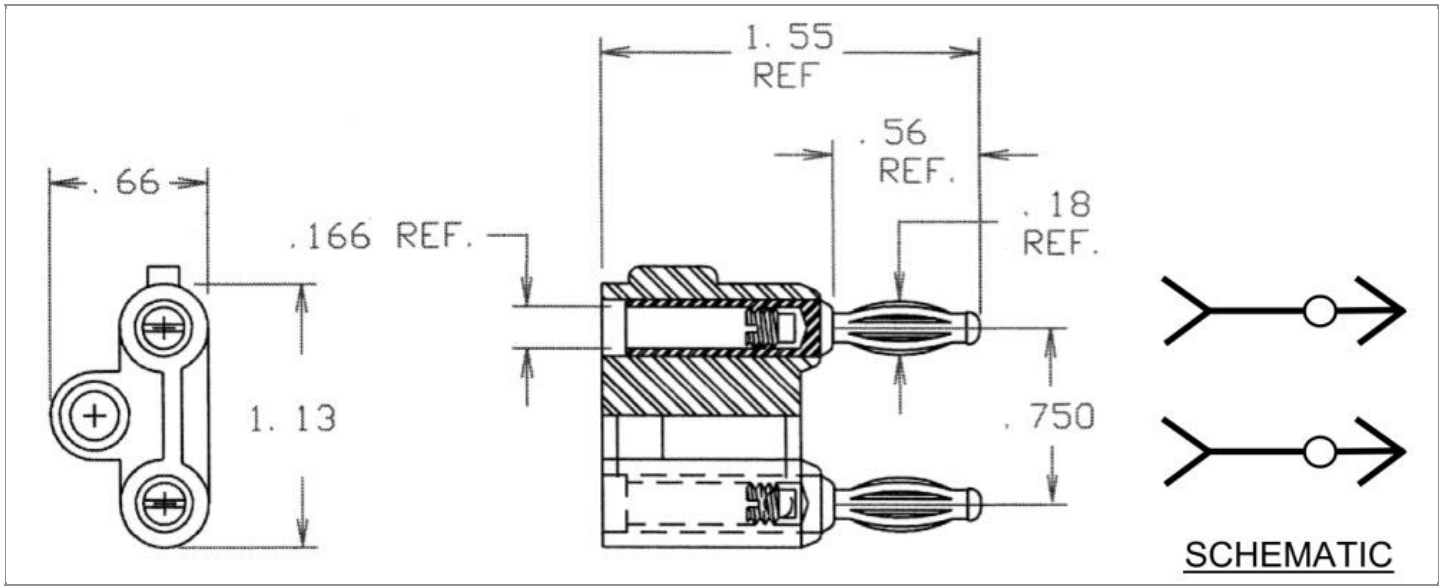


<b>DRAWING NUMBER:</b>	<b>25-2550-1-XXXX</b>
<b>PRODUCT GROUP:</b>	BANANA PLUGS, JACKS AND PHONE TIPS
<b>SUB-GROUP:</b>	INSULATED BANANA PLUGS
<b>DESCRIPTION:</b>	INSULATED DUAL STANDARD BANANA PLUGS/JACKS ADAPTER W/SET SCREWS



ACCEPTS PIN / PLUG / JACK SIZE	OVERALL LENGTH	CABLE / WIRE SIZE
STANDARD BANANA JACKS/PLUGS	1.550"	ACCEPTS UP TO 10 AWG WIRE

**PART NO. STRUCTURE:**

25-2550	-	1	-	XX		XX
PART SERIES		DIMENSION		FINISH		INSULATION COLOR

**MATERIAL OPTIONS:**

**25-2550-1-XXXX**

COMPONENT	MATERIAL	MATERIAL AND SPECIFICATION
BODY	BRASS	BRASS PER ASTM B16, ALLOY C36000, 1/2 HARD
SPRING (CAGE)	BERYLLIUM COPPER	BERYLLIUM COPPER PER ASTM B194, ALLOY C17200
INSULATION*	ABS	ABS PER ASTM D4673
TERMINAL	N/A	N/A
SET SCREW	STEEL	STEEL
STUD	N/A	N/A
JACK SPRING	N/A	N/A

\*For Insulation color, please see INSULATION COLOR OPTIONS on Page 3

## FINISH - PLATING OPTIONS:

25-2550-1-XXXX

FINISH CODE	COMPONENT	FINISH	FINISH AND SPECIFICATION
01	BODY	SILVER	0.000100"MIN. SILVER PER ASTM B700, TYPE 2, GRADE D WITH A NON-CHROMATE PRESERVATIVE TREATMENT
	SPRING (CAGE)	SILVER	0.000300"MIN. SILVER PER ASTM B700, TYPE 2, GRADE D WITH A NON-CHROMATE PRESERVATIVE TREATMENT
	TERMINAL	N/A	N/A
	SET SCREW	ZINC	ZINC
	STUD	N/A	N/A
	JACK SPRING	N/A	N/A
02	BODY	NICKEL	0.000100"MIN. NICKEL PER SAE-AMS-QQ-N-290
	SPRING (CAGE)	NICKEL	0.000200"MIN. NICKEL PER SAE-AMS-QQ-N-290
	TERMINAL	N/A	N/A
	SET SCREW	ZINC	ZINC
	STUD	N/A	N/A
	JACK SPRING	N/A	N/A
03	BODY	GOLD	GOLD FLASH PER ASTM B488, TYPE II, CODE C
	SPRING (CAGE)	GOLD	0.000010"MIN. GOLD PER ASTM B488, TYPE II, CODE C
	TERMINAL	N/A	N/A
	SET SCREW	ZINC	ZINC
	STUD	N/A	N/A
	JACK SPRING	N/A	N/A
044	BODY	BRIGHT ELECTRO-TIN	0.000200"MIN. BRIGHT ELECTRO-TIN PER ASTM B545
	SPRING (CAGE)	BRIGHT ELECTRO-TIN	0.000200"MIN. BRIGHT ELECTRO-TIN PER ASTM B545
	TERMINAL	N/A	N/A
	SET SCREW	ZINC	ZINC
	STUD	N/A	N/A
	JACK SPRING	N/A	N/A

INSULATION COLOR OPTIONS:

25-2550-1-XX **XX**

INSULATION COLOR	BLACK	BLUE	BROWN	GRAY	GREEN	ORANGE	RED	VIOLET	WHITE	YELLOW
COLOR CODE NO.	10	16	11	18	15	13	12	17	19	14

TOLERANCES:\*

DECIMAL	FRACTIONAL	ANGULAR	DRAWING ORIGINATION DATE	LAST MODIFICATION DATE
± 0.010	± 1/64	± 5 °	6/18/2001	4/1/2017

\*All dimensions are in inches.

RoHS COMPLIANCE:

25-2550-1-01XX

PART NUMBER	RoHS COMPLIANT
25-2550-1-0110	YES
25-2550-1-0111	YES
25-2550-1-0112	YES
25-2550-1-0113	YES
25-2550-1-0114	YES
25-2550-1-0115	YES
25-2550-1-0116	YES
25-2550-1-0117	YES
25-2550-1-0118	YES
25-2550-1-0119	YES

25-2550-1-02XX

PART NUMBER	RoHS COMPLIANT
25-2550-1-0210	YES
25-2550-1-0211	YES
25-2550-1-0212	YES
25-2550-1-0213	YES
25-2550-1-0214	YES
25-2550-1-0215	YES
25-2550-1-0216	YES
25-2550-1-0217	YES
25-2550-1-0218	YES
25-2550-1-0219	YES

25-2550-1-03XX

PART NUMBER	RoHS COMPLIANT
25-2550-1-0310	YES
25-2550-1-0311	YES
25-2550-1-0312	YES
25-2550-1-0313	YES
25-2550-1-0314	YES
25-2550-1-0315	YES
25-2550-1-0316	YES
25-2550-1-0317	YES
25-2550-1-0318	YES
25-2550-1-0319	YES

25-2550-1-044XX

PART NUMBER	RoHS COMPLIANT
25-2550-1-04410	YES
25-2550-1-04411	YES
25-2550-1-04412	YES
25-2550-1-04413	YES
25-2550-1-04414	YES
25-2550-1-04415	YES
25-2550-1-04416	YES
25-2550-1-04417	YES
25-2550-1-04418	YES
25-2550-1-04419	YES

**NOTES:**

---

**DATASHEET NOTES**

RATED: 15 AMPERES CAPACITY, 5000 WVDC MAXIMUM. STANDARD SIZE STACKING BANANA PLUGS/JACKS. SET SCREWS PART NUMBER: 701-7192.

---

**INSTRUCTION NOTES**

WIRE LEADS AND/OR COMPONENTS IS INSERTED THRU SIDE HOLE AND IS FIRMLY SECURED IN PLACE WITH SET SCREW (ZINC PLATED STEEL, 8-32 x 3/16").

---