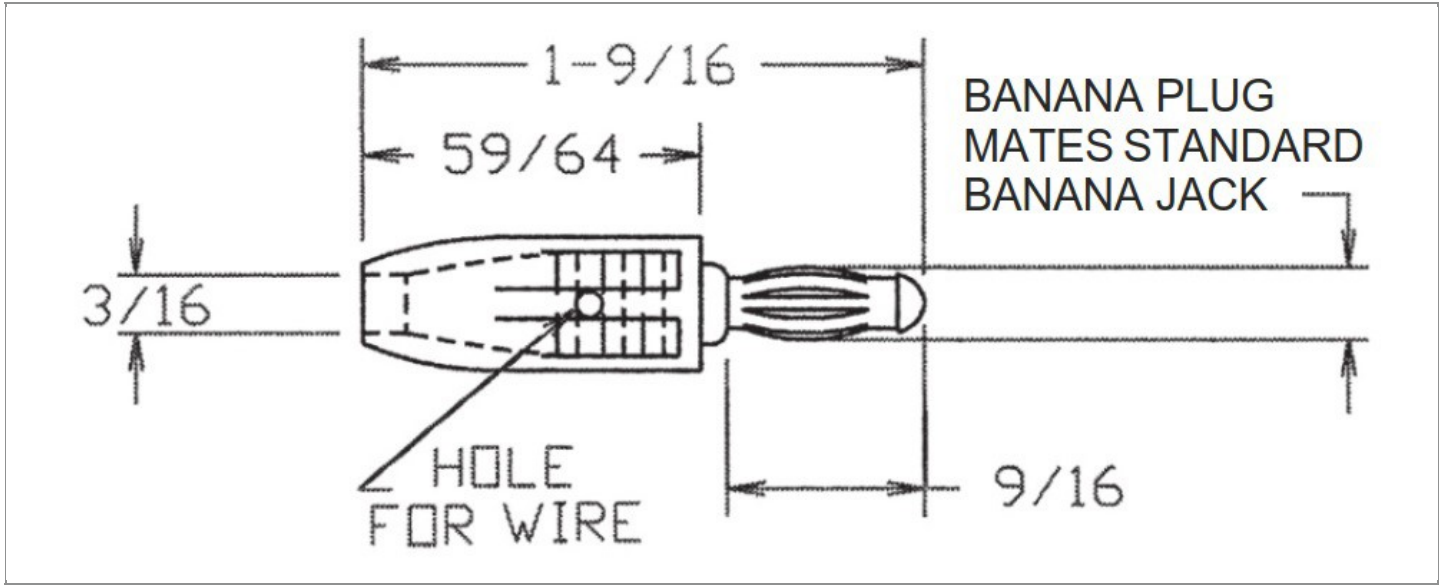


DRAWING NUMBER:	01-2071-1-XXXX
PRODUCT GROUP:	BANANA PLUGS, JACKS AND PHONE TIPS
SUB-GROUP:	INSULATED BANANA PLUGS
DESCRIPTION:	INSULATED STANDARD BANANA PLUG W/SHORT HANDLE



ACCEPTS PIN / PLUG / JACK SIZE	OVERALL LENGTH	CABLE / WIRE SIZE
STANDARD BANANA JACK	1.563"	ACCEPTS UP TO 16 AWG WIRE

PART NO. STRUCTURE:

01-2071	-	1	-	XX	XX
PART SERIES		DIMENSION		FINISH	INSULATION COLOR

MATERIAL OPTIONS:

01-2071-1-XXXX

COMPONENT	MATERIAL	MATERIAL AND SPECIFICATION
BODY	BRASS	BRASS PER ASTM B16, ALLOY C36000, 1/2 HARD
SPRING (CAGE)	BERYLLIUM COPPER	BERYLLIUM COPPER PER ASTM B194, ALLOY C17200
INSULATION*	BUTYRATE	BUTYRATE PER ASTM D707
TERMINAL	N/A	N/A
SET SCREW	N/A	N/A
STUD	N/A	N/A
JACK SPRING	N/A	N/A

*For Insulation color, please see INSULATION COLOR OPTIONS on Page 3

FINISH - PLATING OPTIONS:

01-2071-1-XXXX

FINISH CODE	COMPONENT	FINISH	FINISH AND SPECIFICATION
01	BODY	SILVER	0.000100"MIN. SILVER PER ASTM B700, TYPE 2, GRADE D WITH A NON-CHROMATE PRESERVATIVE TREATMENT
	SPRING (CAGE)	SILVER	0.000300"MIN. SILVER PER ASTM B700, TYPE 2, GRADE D WITH A NON-CHROMATE PRESERVATIVE TREATMENT
	TERMINAL	N/A	N/A
	SET SCREW	N/A	N/A
	STUD	N/A	N/A
	JACK SPRING	N/A	N/A
02	BODY	NICKEL	0.000100"MIN. NICKEL PER SAE-AMS-QQ-N-290
	SPRING (CAGE)	NICKEL	0.000200"MIN. NICKEL PER SAE-AMS-QQ-N-290
	TERMINAL	N/A	N/A
	SET SCREW	N/A	N/A
	STUD	N/A	N/A
	JACK SPRING	N/A	N/A
03	BODY	GOLD	GOLD FLASH PER ASTM B488, TYPE II, CODE C
	SPRING (CAGE)	GOLD	0.000010"MIN. GOLD PER ASTM B488, TYPE II, CODE C
	TERMINAL	N/A	N/A
	SET SCREW	N/A	N/A
	STUD	N/A	N/A
	JACK SPRING	N/A	N/A
044	BODY	BRIGHT ELECTRO-TIN	0.000200"MIN. BRIGHT ELECTRO-TIN PER ASTM B545
	SPRING (CAGE)	BRIGHT ELECTRO-TIN	0.000200"MIN. BRIGHT ELECTRO-TIN PER ASTM B545
	TERMINAL	N/A	N/A
	SET SCREW	N/A	N/A
	STUD	N/A	N/A
	JACK SPRING	N/A	N/A

INSULATION COLOR OPTIONS:

01-2071-1-XX **XX**

INSULATION COLOR	BLACK	BLUE	BROWN	GRAY	GREEN	ORANGE	RED	VIOLET	WHITE	YELLOW
COLOR CODE NO.	10	16	11	18	15	13	12	17	19	14

TOLERANCES:*

DECIMAL	FRACTIONAL	ANGULAR	DRAWING ORIGATION DATE	LAST MODIFICATION DATE
.XXX ± 0.005 / .XX ± 0.01	± 1/64	N/A	10/25/1995	4/1/2017

*All dimensions are in inches.

RoHS COMPLIANCE:

01-2071-1-01XX

PART NUMBER	RoHS COMPLIANT
01-2071-1-0110	YES
01-2071-1-0111	YES
01-2071-1-0112	YES
01-2071-1-0113	YES
01-2071-1-0114	YES
01-2071-1-0115	YES
01-2071-1-0116	YES
01-2071-1-0117	YES
01-2071-1-0118	YES
01-2071-1-0119	YES

01-2071-1-02XX

PART NUMBER	RoHS COMPLIANT
01-2071-1-0210	YES
01-2071-1-0211	YES
01-2071-1-0212	YES
01-2071-1-0213	YES
01-2071-1-0214	YES
01-2071-1-0215	YES
01-2071-1-0216	YES
01-2071-1-0217	YES
01-2071-1-0218	YES
01-2071-1-0219	YES

01-2071-1-03XX

PART NUMBER	RoHS COMPLIANT
01-2071-1-0310	YES
01-2071-1-0311	YES
01-2071-1-0312	YES
01-2071-1-0313	YES
01-2071-1-0314	YES
01-2071-1-0315	YES
01-2071-1-0316	YES
01-2071-1-0317	YES
01-2071-1-0318	YES
01-2071-1-0319	YES

01-2071-1-044XX

PART NUMBER	RoHS COMPLIANT
01-2071-1-04410	YES
01-2071-1-04411	YES
01-2071-1-04412	YES
01-2071-1-04413	YES
01-2071-1-04414	YES
01-2071-1-04415	YES
01-2071-1-04416	YES
01-2071-1-04417	YES
01-2071-1-04418	YES
01-2071-1-04419	YES

NOTES:

DATASHEET NOTES

RATED: 15 AMPERES CONTINUOUS DUTY. STANDARD SIZE SPRING FOR STANDARD SIZE BANANA JACK.

INSTRUCTION NOTES

WIRE IS INSERTED THRU REAR AND CROSS HOLES AND WRAPPED AROUND PLUG BODY FOR SOLDERLESS CONNECTION OR WIRE CAN BE DIRECTLY SOLDERED TO STUD.
