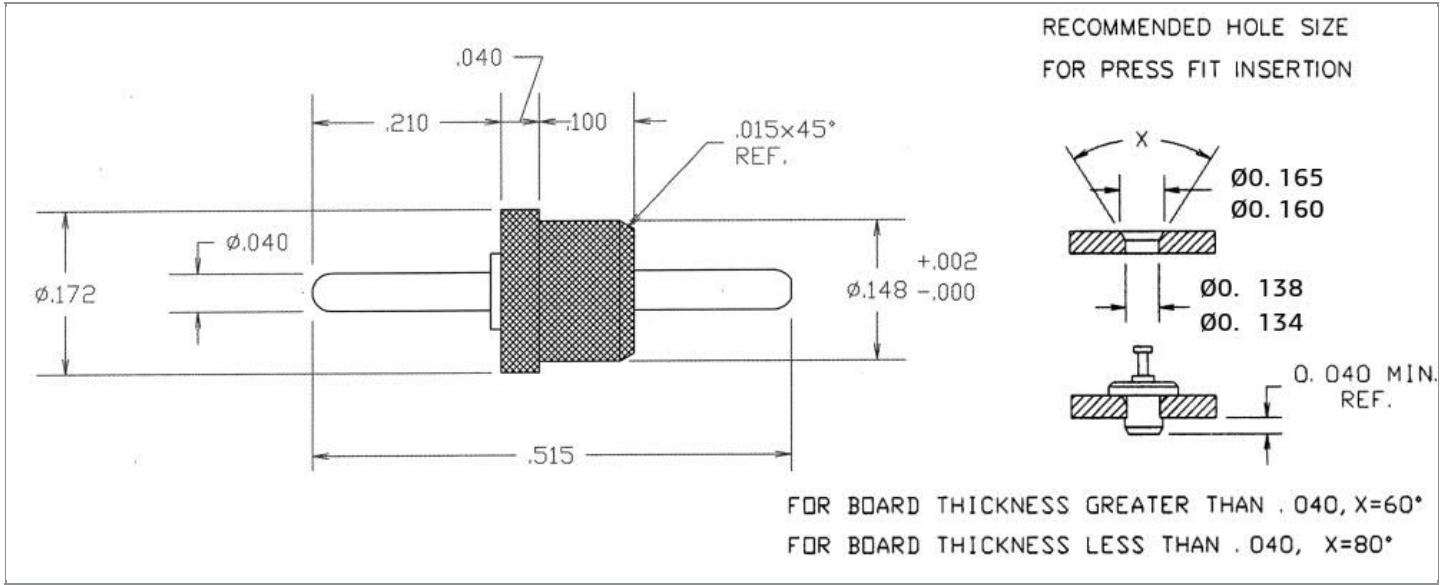


DRAWING NUMBER:	1110-21M-XXXX
PRODUCT GROUP:	TERMINALS
SUB-GROUP:	MILITARY INSULATED TERMINALS
DESCRIPTION:	PTFE INSULATED FEED THRU (PIN/PIN) TERMINAL



PIN DIAMETER	OVERALL LENGTH	MOUNTING ORIENTATION	BOARD / PANEL MOUNTING METHOD
0.040" ± 0.005	0.515"	VERTICAL	PRESS FIT

BOARD / PANEL THICKNESS	MOUNTING HOLE SIZE	DRILL SIZE	FEED THRU COMBINATION
UP TO 1/16"	0.136" ± 0.002	#29	PIN/PIN

PART NO. STRUCTURE:*

1110	-	21M	-	XX	XX
PART SERIES		DIMENSION		FINISH	INSULATION COLOR

*If applicable, "Z" at the end of a PART NO. STRUCTURE indicates TERMINAL MATERIAL TYPE.

MATERIAL OPTIONS:

1110-21M-XXXX

COMPONENT	MATERIAL	MATERIAL AND SPECIFICATION
TERMINAL	BRASS	BRASS PER ASTM B16, ALLOY C36000, 1/2 HARD
BASE/METAL SLEEVE	N/A	N/A
INSULATION*	PTFE	PTFE PER ASTM D1710
NUT	N/A	N/A
WASHER	N/A	N/A

*For Insulation color, please see INSULATION COLOR OPTIONS on Page 2

FINISH - PLATING OPTIONS:

1110-21M-XXXX

FINISH CODE	COMPONENT	FINISH	FINISH AND SPECIFICATION
05	TERMINAL	ELECTRO-SOLDER	0.000300"MIN. ELECTRO-SOLDER PER SAE-AMS-P-81728 OVER 0.000100"MIN. COPPER PER SAE-AMS-2418
	BASE/METAL SLEEVE	N/A	N/A
	NUT	N/A	N/A
	WASHER	N/A	N/A
088	TERMINAL	BRIGHT TIN-LEAD	0.000300"MIN. BRIGHT TIN-LEAD (Sn93%-Pb7%) PER ASTM B545 OVER 0.000100"MIN. COPPER PER SAE-AMS-2418
	BASE/METAL SLEEVE	N/A	N/A
	NUT	N/A	N/A
	WASHER	N/A	N/A
095	TERMINAL	HOT SOLDER DIP	0.000100"MIN. HOT SOLDER DIP USING Sn60 PER IPC-J-STD-006 OVER 0.000100"MIN. COPPER PER SAE-AMS-2418
	BASE/METAL SLEEVE	N/A	N/A
	NUT	N/A	N/A
	WASHER	N/A	N/A

INSULATION COLOR OPTIONS:

1110-21M-XXXX

INSULATION COLOR	BLACK	BLUE	BROWN	GRAY	GREEN	ORANGE	RED	VIOLET	WHITE	YELLOW
COLOR CODE NO.	10	16	11	18	15	13	12	17	19	14

TOLERANCES:*

DECIMAL	FRACTIONAL	ANGULAR	DRAWING ORIENTATION DATE	LAST MODIFICATION DATE
± 0.015	N/A	± 3 °	5/28/2004	3/1/2017

*All dimensions are in inches.

RoHS COMPLIANCE:

1110-21M-05XX

PART NUMBER	RoHS COMPLIANT
1110-21M-0510	NO
1110-21M-0511	NO
1110-21M-0512	NO
1110-21M-0513	NO
1110-21M-0514	NO
1110-21M-0515	NO
1110-21M-0516	NO
1110-21M-0517	NO
1110-21M-0518	NO
1110-21M-0519	NO

1110-21M-088XX

PART NUMBER	RoHS COMPLIANT
1110-21M-08810	NO
1110-21M-08811	NO
1110-21M-08812	NO
1110-21M-08813	NO
1110-21M-08814	NO
1110-21M-08815	NO
1110-21M-08816	NO
1110-21M-08817	NO
1110-21M-08818	NO
1110-21M-08819	NO

1110-21M-095XX

PART NUMBER	RoHS COMPLIANT
1110-21M-09510	NO
1110-21M-09511	NO
1110-21M-09512	NO
1110-21M-09513	NO
1110-21M-09514	NO
1110-21M-09515	NO
1110-21M-09516	NO
1110-21M-09517	NO
1110-21M-09518	NO
1110-21M-09519	NO

MILITARY REFERENCE SPECIFICATIONS:

1110-21M-05XX

PART NUMBER	MIL SPECIFICATION	MIL PART NUMBER	COMMERCIAL ITEM DESCRIPTION (CID) SPECIFICATION	CID PART NUMBER
1110-21M-0510	MIL-T-55155/03	M55155/030H02 (FT030B02S)	A-A-59126/03	AA59126/030H02
1110-21M-0511	MIL-T-55155/03	M55155/031H02 (FT031B02S)	A-A-59126/03	AA59126/031H02
1110-21M-0512	MIL-T-55155/03	M55155/032H02 (FT032B02S)	A-A-59126/03	AA59126/032H02
1110-21M-0513	MIL-T-55155/03	M55155/033H02 (FT033B02S)	A-A-59126/03	AA59126/033H02
1110-21M-0514	MIL-T-55155/03	M55155/034H02 (FT034B02S)	A-A-59126/03	AA59126/034H02
1110-21M-0515	MIL-T-55155/03	M55155/035H02 (FT035B02S)	A-A-59126/03	AA59126/035H02
1110-21M-0516	MIL-T-55155/03	M55155/036H02 (FT036B02S)	A-A-59126/03	AA59126/036H02
1110-21M-0517	MIL-T-55155/03	M55155/037H02 (FT037B02S)	A-A-59126/03	AA59126/037H02
1110-21M-0518	MIL-T-55155/03	M55155/038H02 (FT038B02S)	A-A-59126/03	AA59126/038H02
1110-21M-0519	MIL-T-55155/03	M55155/039H02 (FT039B02S)	A-A-59126/03	AA59126/039H02

1110-21M-088XX

PART NUMBER	MIL SPECIFICATION	MIL PART NUMBER	COMMERCIAL ITEM DESCRIPTION (CID) SPECIFICATION	CID PART NUMBER
1110-21M-08810	MIL-T-55155/03	M55155/030J02	A-A-59126/03	AA59126/030J02 (AA59126/03002)
1110-21M-08811	MIL-T-55155/03	M55155/031J02	A-A-59126/03	AA59126/031J02 (AA59126/03102)
1110-21M-08812	MIL-T-55155/03	M55155/032J02	A-A-59126/03	AA59126/032J02 (AA59126/03202)
1110-21M-08813	MIL-T-55155/03	M55155/033J02	A-A-59126/03	AA59126/033J02 (AA59126/03302)
1110-21M-08814	MIL-T-55155/03	M55155/034J02	A-A-59126/03	AA59126/034J02 (AA59126/03402)

Continued on next page...

MILITARY REFERENCE SPECIFICATIONS CONTINUED:

1110-21M-088XX

PART NUMBER	MIL SPECIFICATION	MIL PART NUMBER	COMMERCIAL ITEM DESCRIPTION (CID) SPECIFICATION	CID PART NUMBER
1110-21M-08815	MIL-T-55155/03	M55155/035J02	A-A-59126/03	AA59126/035J02 (AA59126/03502)
1110-21M-08816	MIL-T-55155/03	M55155/036J02	A-A-59126/03	AA59126/036J02 (AA59126/03602)
1110-21M-08817	MIL-T-55155/03	M55155/037J02	A-A-59126/03	AA59126/037J02 (AA59126/03702)
1110-21M-08818	MIL-T-55155/03	M55155/038J02	A-A-59126/03	AA59126/038J02 (AA59126/03802)
1110-21M-08819	MIL-T-55155/03	M55155/039J02	A-A-59126/03	AA59126/039J02 (AA59126/03902)

1110-21M-095XX

PART NUMBER	MIL SPECIFICATION	MIL PART NUMBER	COMMERCIAL ITEM DESCRIPTION (CID) SPECIFICATION	CID PART NUMBER
1110-21M-09510	MIL-T-55155/03	M55155/030I02	A-A-59126/03	AA59126/030I02
1110-21M-09511	MIL-T-55155/03	M55155/031I02	A-A-59126/03	AA59126/031I02
1110-21M-09512	MIL-T-55155/03	M55155/032I02	A-A-59126/03	AA59126/032I02
1110-21M-09513	MIL-T-55155/03	M55155/033I02	A-A-59126/03	AA59126/033I02
1110-21M-09514	MIL-T-55155/03	M55155/034I02	A-A-59126/03	AA59126/034I02
1110-21M-09515	MIL-T-55155/03	M55155/035I02	A-A-59126/03	AA59126/035I02
1110-21M-09516	MIL-T-55155/03	M55155/036I02	A-A-59126/03	AA59126/036I02
1110-21M-09517	MIL-T-55155/03	M55155/037I02	A-A-59126/03	AA59126/037I02
1110-21M-09518	MIL-T-55155/03	M55155/038I02	A-A-59126/03	AA59126/038I02
1110-21M-09519	MIL-T-55155/03	M55155/039I02	A-A-59126/03	AA59126/039I02

TOOLING:

INSTALLATION TOOL: ARBOR PRESS	INSTALLATION TOOL: ANVIL (ARBOR PRESS OPERATED)	INSTALLATION TOOL: PRESS-FIT / ROLL SWAGE / RIVET PUNCH (ARBOR PRESS OPERATED)	INSTALLATION TOOL: PRESS-FIT (HAND OPERATED)
TM1	TA1110-21	TPI1110-21	TTI1110-21

NOTES:

DATASHEET NOTES

N/A

INSTRUCTION NOTES

SEE GENERAL PRESS FIT INSTALLATION INSTRUCTION ON CONCORD ELECTRONICS' WEBSITE WWW.CONCORD-ELECTRONICS.COM.