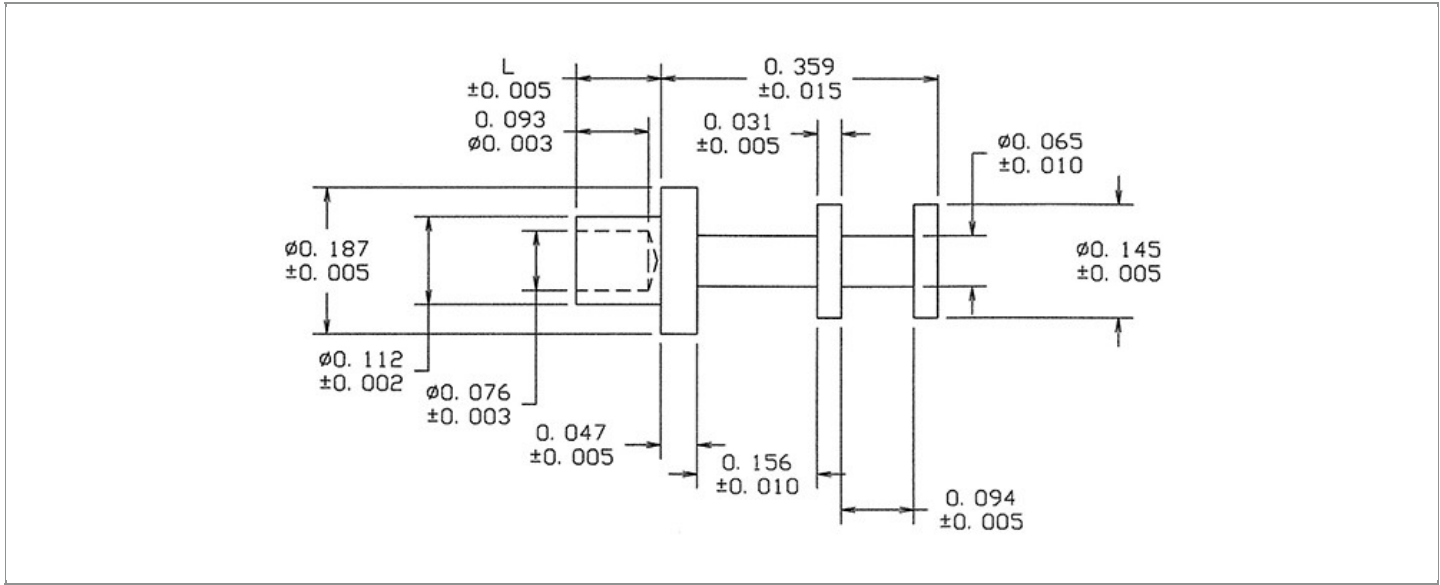


DRAWING NUMBER:	15-270-X-XX
PRODUCT GROUP:	TERMINALS
SUB-GROUP:	MILITARY NON-INSULATED TERMINALS
DESCRIPTION:	NON-INSULATED DOUBLE TURRET TERMINAL



BOARD / PANEL MOUNTING METHOD	MOUNTING HOLE SIZE	DRILL SIZE	FEED THRU COMBINATION
SWAGE MOUNT	$0.116" \pm 0.001$	#32	N/A

PART NO. STRUCTURE:

15-270 - X - XX
 PART SERIES DIMENSION FINISH

MATERIAL OPTIONS:

15-270-X-XX

COMPONENT	MATERIAL	MATERIAL AND SPECIFICATION
TERMINAL	BRASS	BRASS PER ASTM B16, ALLOY C36000, 1/2 HARD

DIMENSION OPTIONS:

15-270-X-XX

DIMENSION	K	OVERALL LENGTH	SHANK LENGTH (L)	BOARD/PANEL THICKNESS
1	N/A	0.437"	0.078"	1/32"
2	N/A	0.468"	0.109"	1/16"
3	N/A	0.499"	0.140"	3/32"
4	N/A	0.530"	0.171"	1/8"
6	N/A	0.593"	0.234"	3/16"
8	N/A	0.657"	0.298"	1/4"

FINISH - PLATING OPTIONS:

15-270-X-XX

FINISH CODE	COMPONENT	FINISH	FINISH AND SPECIFICATION
05	TERMINAL	ELECTRO-SOLDER	0.000300"MIN. ELECTRO-SOLDER PER SAE-AMS-P-81728 OVER 0.000100"MIN. COPPER PER SAE-AMS-2418
088	TERMINAL	BRIGHT TIN-LEAD	0.000300"MIN. BRIGHT TIN-LEAD (Sn93%-Pb7%) PER ASTM B545 OVER 0.000100"MIN. COPPER PER SAE-AMS-2418
095	TERMINAL	HOT SOLDER DIP	0.000100"MIN. HOT SOLDER DIP USING Sn60 PER IPC-J-STD-006 OVER 0.000100"MIN. COPPER PER SAE-AMS-2418

TOLERANCES:*

DECIMAL	FRACTIONAL	ANGULAR	DRAWING ORIENTATION DATE	LAST MODIFICATION DATE
± 0.005	N/A	± 3 °	2/2/2000	3/1/2017

*All dimensions are in inches.

RoHS COMPLIANCE:

15-270-1-XX

PART NUMBER	RoHS COMPLIANT
15-270-1-05	NO
15-270-1-088	NO
15-270-1-095	NO

15-270-2-XX

PART NUMBER	RoHS COMPLIANT
15-270-2-05	NO
15-270-2-088	NO
15-270-2-095	NO

15-270-3-XX

PART NUMBER	RoHS COMPLIANT
15-270-3-05	NO
15-270-3-088	NO
15-270-3-095	NO

15-270-4-XX

PART NUMBER	RoHS COMPLIANT
15-270-4-05	NO
15-270-4-088	NO
15-270-4-095	NO

15-270-6-XX

PART NUMBER	RoHS COMPLIANT
15-270-6-05	NO
15-270-6-088	NO
15-270-6-095	NO

15-270-8-XX

PART NUMBER	RoHS COMPLIANT
15-270-8-05	NO
15-270-8-088	NO
15-270-8-095	NO

MILITARY REFERENCE SPECIFICATIONS:

15-270-1-XX

PART NUMBER	MIL SPECIFICATION	MIL PART NUMBER	COMMERCIAL ITEM DESCRIPTION (CID) SPECIFICATION	CID PART NUMBER
15-270-1-05	MIL-T-55155/30	M55155/30XH04 (M55155/30-4S; SE30XC04S)	A-A-59126/30	AA59126/30XH04
15-270-1-088	MIL-T-55155/30	M55155/30XJ04	A-A-59126/30	AA59126/30XJ04 (AA59126/3004)
15-270-1-095	MIL-T-55155/30	M55155/30XI04	A-A-59126/30	AA59126/30XI04

Continued on next page...

MILITARY REFERENCE SPECIFICATIONS CONTINUED:

15-270-2-XX

PART NUMBER	MIL SPECIFICATION	MIL PART NUMBER	COMMERCIAL ITEM DESCRIPTION (CID) SPECIFICATION	CID PART NUMBER
15-270-2-05	MIL-T-55155/30	M55155/30XH07 (M55155/30-7S; SE30XC07S)	A-A-59126/30	AA59126/30XH07
15-270-2-088	MIL-T-55155/30	M55155/30XJ07	A-A-59126/30	AA59126/30XJ07 (AA59126/3007)
15-270-2-095	MIL-T-55155/30	M55155/30XI07	A-A-59126/30	AA59126/30XI07

15-270-3-XX

PART NUMBER	MIL SPECIFICATION	MIL PART NUMBER	COMMERCIAL ITEM DESCRIPTION (CID) SPECIFICATION	CID PART NUMBER
15-270-3-05	MIL-T-55155/30	M55155/30XH11 (M55155/30-11S; SE30XC11S)	A-A-59126/30	AA59126/30XH11
15-270-3-088	MIL-T-55155/30	M55155/30XJ11	A-A-59126/30	AA59126/30XJ11 (AA59126/3011)
15-270-3-095	MIL-T-55155/30	M55155/30XI11	A-A-59126/30	AA59126/30XI11

15-270-4-XX

PART NUMBER	MIL SPECIFICATION	MIL PART NUMBER	COMMERCIAL ITEM DESCRIPTION (CID) SPECIFICATION	CID PART NUMBER
15-270-4-05	MIL-T-55155/30	M55155/30XH15 (M55155/30-15S; SE30XC15S)	A-A-59126/30	AA59126/30XH15
15-270-4-088	MIL-T-55155/30	M55155/30XJ15	A-A-59126/30	AA59126/30XJ15 (AA59126/3015)
15-270-4-095	MIL-T-55155/30	M55155/30XI15	A-A-59126/30	AA59126/30XI15

15-270-6-XX

PART NUMBER	MIL SPECIFICATION	MIL PART NUMBER	COMMERCIAL ITEM DESCRIPTION (CID) SPECIFICATION	CID PART NUMBER
15-270-6-05	MIL-T-55155/30	M55155/30XH18 (M55155/30-18S; SE30XC18S)	A-A-59126/30	AA59126/30XH18
15-270-6-088	MIL-T-55155/30	M55155/30XJ18	A-A-59126/30	AA59126/30XJ18 (AA59126/3018)
15-270-6-095	MIL-T-55155/30	M55155/30XI18	A-A-59126/30	AA59126/30XI18

15-270-8-XX

PART NUMBER	MIL SPECIFICATION	MIL PART NUMBER	COMMERCIAL ITEM DESCRIPTION (CID) SPECIFICATION	CID PART NUMBER
15-270-8-05	MIL-T-55155/30	M55155/30XH21 (M55155/30-21S; SE30XC21S)	A-A-59126/30	AA59126/30XH21
15-270-8-088	MIL-T-55155/30	M55155/30XJ21	A-A-59126/30	AA59126/30XJ21 (AA59126/3021)
15-270-8-095	MIL-T-55155/30	M55155/30XI21	A-A-59126/30	AA59126/30XI21

TOOLING:

INSTALLATION TOOL: ARBOR PRESS	INSTALLATION TOOL: ANVIL (ARBOR PRESS OPERATED)	INSTALLATION TOOL: PRESS-FIT / ROLL SWAGE / RIVET PUNCH (ARBOR PRESS OPERATED)	INSTALLATION TOOL: FLARE SWAGE PUNCH (ARBOR PRESS OPERATED)
TM1	TA188-146-31	TP112-78	TFLP90-200

NOTES:

DATASHEET NOTES

N/A

INSTRUCTION NOTES

SEE GENERAL SWAGING INSTALLATION INSTRUCTION ON CONCORD ELECTRONICS' WEBSITE WWW.CONCORD-ELECTRONICS.COM