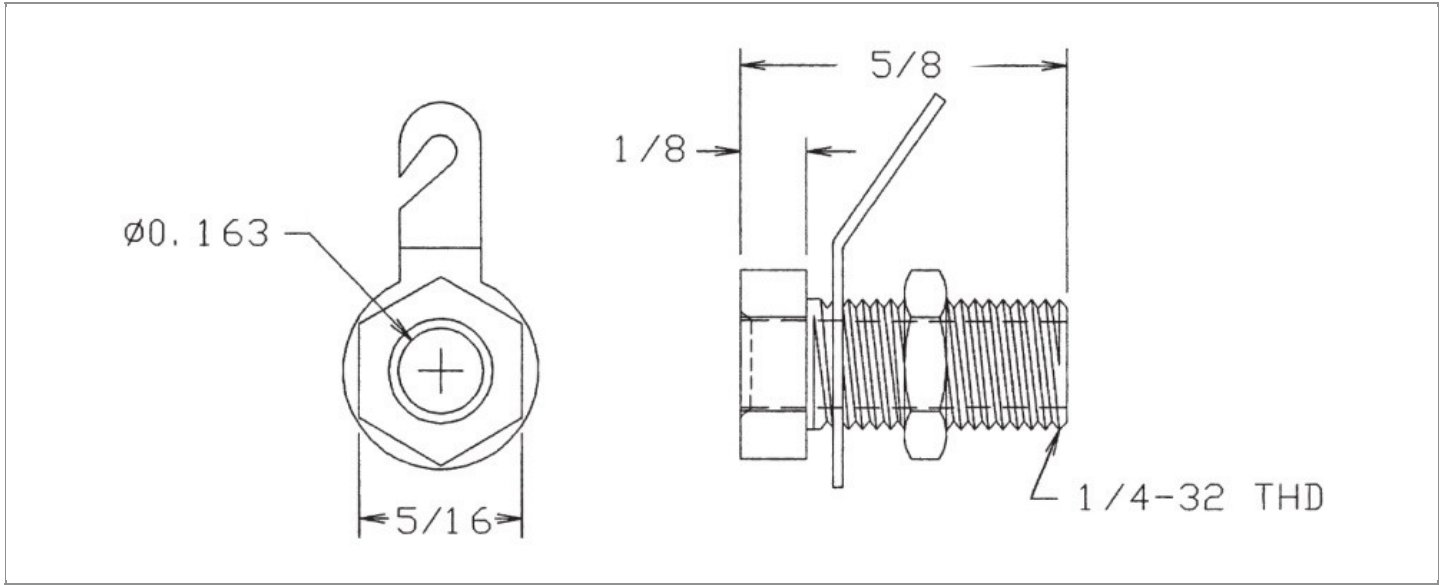


<b>DRAWING NUMBER:</b>	<b>01-2542-X-XX</b>
<b>PRODUCT GROUP:</b>	BANANA PLUGS, JACKS AND PHONE TIPS
<b>SUB-GROUP:</b>	NON-INSULATED BANANA JACKS
<b>DESCRIPTION:</b>	NON-INSULATED STANDARD BANANA PANEL JACK



ACCEPTS PIN / PLUG / JACK SIZE	BOARD / PANEL MOUNTING METHOD	MOUNTING HOLE SIZE	DRILL SIZE
STANDARD BANANA PLUG	THREAD MOUNT (1/4-32 NUT)	0.257"	F

**PART NO. STRUCTURE:**

01-2542	-	1	-	XX
PART SERIES		DIMENSION		FINISH

**MATERIAL OPTIONS:**

01-2542-1-XX

COMPONENT	MATERIAL	MATERIAL AND SPECIFICATION
BODY	BRASS	BRASS PER ASTM B16, ALLOY C36000, 1/2 HARD
NUT	BRASS	BRASS PER ASTM B16, ALLOY C36000, 1/2 HARD
LUG	BRASS	BRASS PER ASTM B36, ALLOY C26000, 1/2 HARD

**DIMENSION OPTIONS:**

01-2542-1-XX

DIMENSION	OVERALL LENGTH	MIN. HOLE DEPTH	SHANK LENGTH (L)	BOARD/PANEL THICKNESS
1	0.625"	0.625"	0.500"	UP TO 3/8"

FINISH - PLATING OPTIONS:

01-2542-1-XX

FINISH CODE	COMPONENT	FINISH	FINISH AND SPECIFICATION
02	BODY	NICKEL	0.000100"MIN. NICKEL PER SAE-AMS-QQ-N-290
	NUT	NICKEL	0.000100"MIN. NICKEL PER SAE-AMS-QQ-N-290
	LUG	ELECTRO-TIN	0.000150"MIN. ELECTRO-TIN PER ASTM B545
03	BODY	GOLD	0.000010"MIN. GOLD PER ASTM B488, TYPE II, CODE C OVER 0.000050"MIN. NICKEL PER SAE-AMS-QQ-N-290
	NUT	NICKEL	0.000100"MIN. NICKEL PER SAE-AMS-QQ-N-290
	LUG	ELECTRO-TIN	0.000150"MIN. ELECTRO-TIN PER ASTM B545
044	BODY	BRIGHT ELECTRO-TIN	0.000300"MIN. BRIGHT ELECTRO-TIN PER ASTM B545 OVER 0.000100"MIN. COPPER PER SAE-AMS-2418
	NUT	NICKEL	0.000100"MIN. NICKEL PER SAE-AMS-QQ-N-290
	LUG	ELECTRO-TIN	0.000150"MIN. ELECTRO-TIN PER ASTM B545

TOLERANCES:\*

DECIMAL	FRACTIONAL	ANGULAR	DRAWING ORIGATION DATE	LAST MODIFICATION DATE
± 0.010	± 1/64	N/A	6/24/1996	4/1/2017

\*All dimensions are in inches.

RoHS COMPLIANCE:

01-2542-1-XX

PART NUMBER	RoHS COMPLIANT
01-2542-1-02	YES
01-2542-1-03	YES
01-2542-1-044	YES

TOOLING:

INSTALLATION TOOL: ARBOR PRESS	INSTALLATION TOOL: ANVIL (ARBOR PRESS OPERATED)	INSTALLATION TOOL: PRESS-FIT / ROLL SWAGE / RIVET PUNCH (ARBOR PRESS OPERATED)
N/A	N/A	N/A

**NOTES:**

---

**DATASHEET NOTES**

RATED FOR 15 AMPERES CONTINUOUS DUTY. ACCEPTS STANDARD BANANA PLUG. NUT PART NUMBER: 701-7414-02. LUG PART NUMBER: 707-1772.

---

**INSTRUCTION NOTES**

SUPPLIED WITH NICKEL PLATED BRASS HEX NUT (1/4-32 x 11/32" x 3/32") AND ELECTRO-TIN PLATED COPPER 1/4" SOLDER LUG.

---