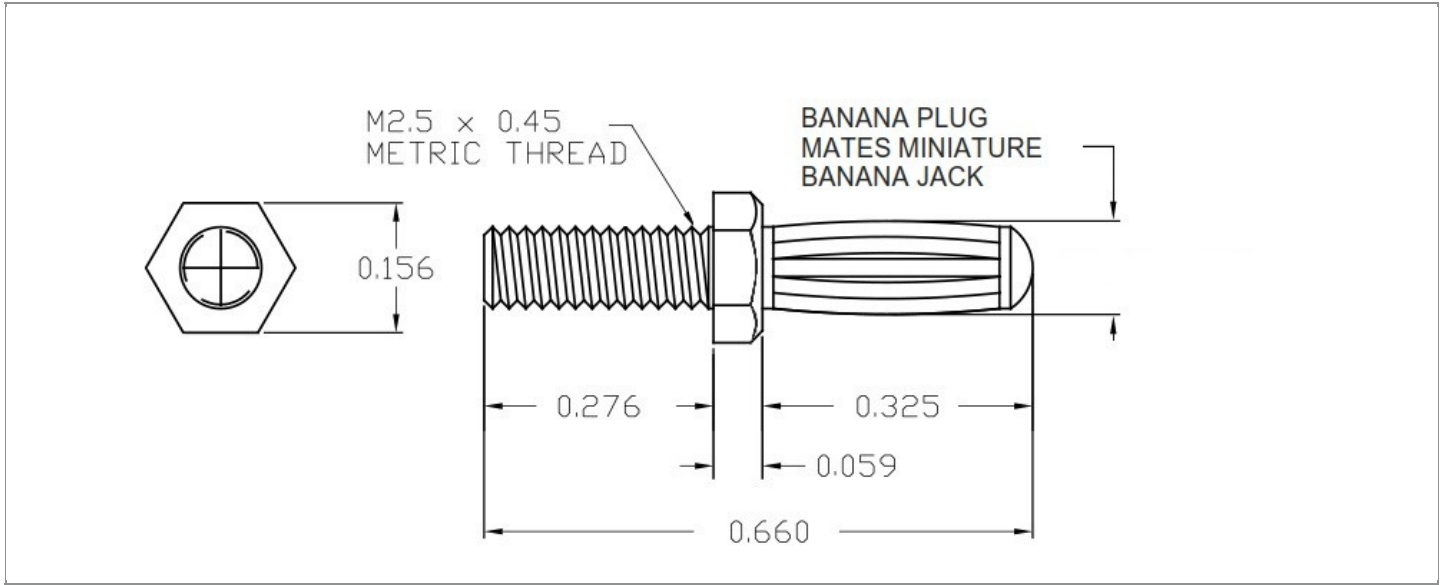


<b>DRAWING NUMBER:</b>	<b>09-2122-X-XX</b>
<b>PRODUCT GROUP:</b>	BANANA PLUGS, JACKS AND PHONE TIPS
<b>SUB-GROUP:</b>	NON-INSULATED BANANA PLUGS
<b>DESCRIPTION:</b>	NON-INSULATED MINIATURE BANANA PLUG W/METRIC THREAD



ACCEPTS PIN / PLUG / JACK SIZE	BOARD / PANEL MOUNTING METHOD	MOUNTING HOLE SIZE	DRILL SIZE
MINIATURE BANANA JACK	METRIC THREAD MOUNT (M2.5 x 0.45)	M2.5 x 0.45 METRIC THREAD	N/A

**PART NO. STRUCTURE:**

**09-2122** - **1** - **XX**  
 PART SERIES    DIMENSION    FINISH

**MATERIAL OPTIONS:**

**09-2122-1-XX**

COMPONENT	MATERIAL	MATERIAL AND SPECIFICATION
BODY	BRASS	BRASS PER ASTM B16, ALLOY C36000, 1/2 HARD
SPRING (CAGE)	BERYLLIUM COPPER	BERYLLIUM COPPER PER ASTM B194, ALLOY C17200
NUT	N/A	N/A
SCREW	N/A	N/A
STUD	N/A	N/A
LUG	N/A	N/A

DIMENSION OPTIONS:

09-2122-1-XX

DIMENSION	SHANK LENGTH (L)	BOARD/PANEL THICKNESS
1	0.276"	UP TO 1/4"

FINISH - PLATING OPTIONS:

09-2122-1-XX

FINISH CODE	COMPONENT	FINISH	FINISH AND SPECIFICATION
01	BODY	SILVER	0.000100"MIN. SILVER PER ASTM B700, TYPE 2, GRADE D WITH A NON-CHROMATE PRESERVATIVE TREATMENT
	SPRING (CAGE)	SILVER	0.000300"MIN. SILVER PER ASTM B700, TYPE 2, GRADE D WITH A NON-CHROMATE PRESERVATIVE TREATMENT
	NUT	N/A	N/A
	SCREW	N/A	N/A
	STUD	N/A	N/A
	LUG	N/A	N/A
02	BODY	NICKEL	0.000100"MIN. NICKEL PER SAE-AMS-QQ-N-290
	SPRING (CAGE)	NICKEL	0.000200"MIN. NICKEL PER SAE-AMS-QQ-N-290
	NUT	N/A	N/A
	SCREW	N/A	N/A
	STUD	N/A	N/A
	LUG	N/A	N/A
03	BODY	GOLD	GOLD FLASH PER ASTM B488, TYPE II, CODE C
	SPRING (CAGE)	GOLD	0.000010"MIN. GOLD PER ASTM B488, TYPE II, CODE C
	NUT	N/A	N/A
	SCREW	N/A	N/A
	STUD	N/A	N/A
	LUG	N/A	N/A

Continued on next page...

FINISH - PLATING OPTIONS CONTINUED:

09-2122-1-XX

FINISH CODE	COMPONENT	FINISH	FINISH AND SPECIFICATION
044	BODY	BRIGHT ELECTRO-TIN	0.000200"MIN. BRIGHT ELECTRO-TIN PER ASTM B545
	SPRING (CAGE)	BRIGHT ELECTRO-TIN	0.000200"MIN. BRIGHT ELECTRO-TIN PER ASTM B545
	NUT	N/A	N/A
	SCREW	N/A	N/A
	STUD	N/A	N/A
	LUG	N/A	N/A

TOLERANCES:\*

DECIMAL	FRACTIONAL	ANGULAR	DRAWING ORIGATION DATE	LAST MODIFICATION DATE
± 0.005	± 1/64	± 5°	12/9/2013	4/1/2017

\*All dimensions are in inches.

RoHS COMPLIANCE:

09-2122-1-XX

PART NUMBER	RoHS COMPLIANT
09-2122-1-01	YES
09-2122-1-02	YES
09-2122-1-03	YES
09-2122-1-044	YES

TOOLING:

INSTALLATION TOOL: ARBOR PRESS	INSTALLATION TOOL: ANVIL (ARBOR PRESS OPERATED)	INSTALLATION TOOL: PRESS-FIT / ROLL SWAGE / RIVET PUNCH (ARBOR PRESS OPERATED)
N/A	N/A	N/A

NOTES:

DATASHEET NOTES
MINIATURE SIZE SPRING FOR MINIATURE SIZE BANANA JACK. METRIC THREAD: M2.5 x 0.45.

INSTRUCTION NOTES
N/A