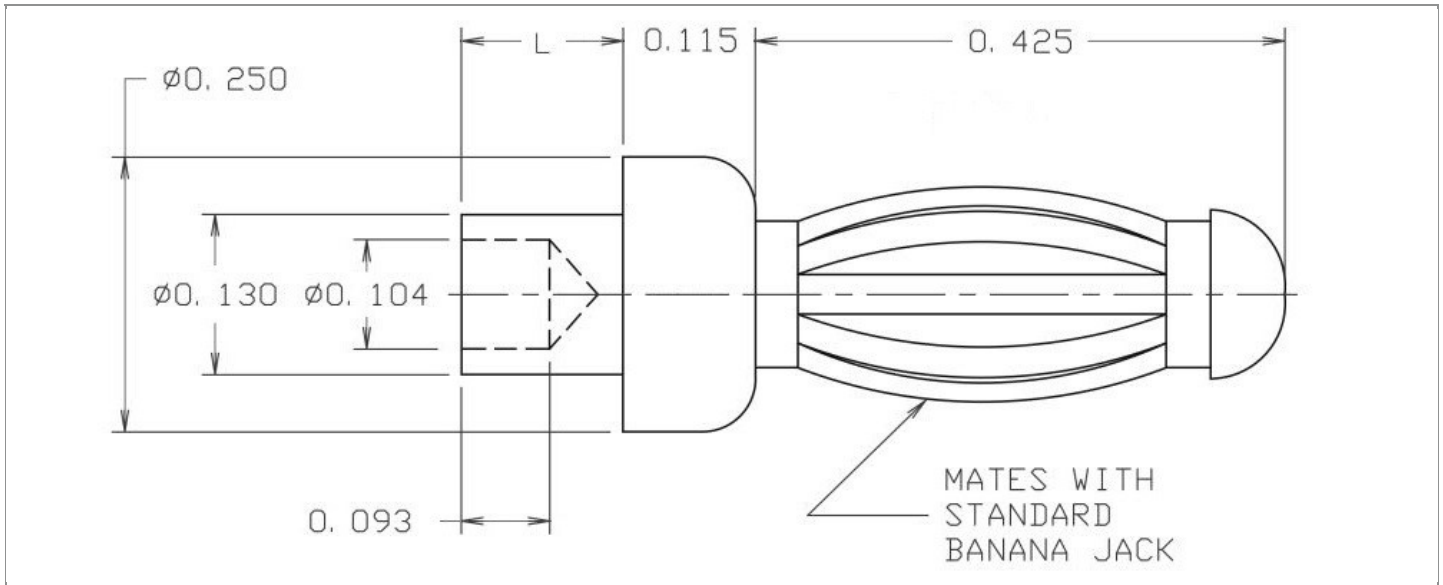


<b>DRAWING NUMBER:</b>	<b>01-2255-X-XX</b>
<b>PRODUCT GROUP:</b>	BANANA PLUGS, JACKS AND PHONE TIPS
<b>SUB-GROUP:</b>	NON-INSULATED BANANA PLUGS
<b>DESCRIPTION:</b>	NON-INSULATED STANDARD SHORT SPRING BANANA PLUG



ACCEPTS PIN / PLUG / JACK SIZE	BOARD / PANEL MOUNTING METHOD	MOUNTING HOLE SIZE	DRILL SIZE
STANDARD BANANA JACK	SWAGE MOUNT	0.136" ± 0.001	#29

## PART NO. STRUCTURE:

<b>01-2255</b>	-	<b>X</b>	-	<b>XX</b>
PART SERIES		DIMENSION		FINISH

## MATERIAL OPTIONS:

**01-2255-X-XX**

COMPONENT	MATERIAL	MATERIAL AND SPECIFICATION
BODY	BRASS	BRASS PER ASTM B16, ALLOY C36000, 1/2 HARD
SPRING (CAGE)	BERYLLIUM COPPER	BERYLLIUM COPPER PER ASTM B194, ALLOY C17200
NUT	N/A	N/A
SCREW	N/A	N/A
STUD	N/A	N/A
LUG	N/A	N/A

## DIMENSION OPTIONS:

01-2255-X-XX

DIMENSION	SHANK LENGTH (L)	BOARD/PANEL THICKNESS
2	0.094"	1/16"
3	0.125"	3/32"
5	0.187"	5/32"
6	0.218"	3/16"

## FINISH - PLATING OPTIONS:

01-2255-X-XX

FINISH CODE	COMPONENT	FINISH	FINISH AND SPECIFICATION
01	BODY	SILVER	0.000100"MIN. SILVER PER ASTM B700, TYPE 2, GRADE D WITH A NON-CHROMATE PRESERVATIVE TREATMENT
	SPRING (CAGE)	SILVER	0.000300"MIN. SILVER PER ASTM B700, TYPE 2, GRADE D WITH A NON-CHROMATE PRESERVATIVE TREATMENT
	NUT	N/A	N/A
	SCREW	N/A	N/A
	STUD	N/A	N/A
	LUG	N/A	N/A
02	BODY	NICKEL	0.000100"MIN. NICKEL PER SAE-AMS-QQ-N-290
	SPRING (CAGE)	NICKEL	0.000200"MIN. NICKEL PER SAE-AMS-QQ-N-290
	NUT	N/A	N/A
	SCREW	N/A	N/A
	STUD	N/A	N/A
	LUG	N/A	N/A
03	BODY	GOLD	GOLD FLASH PER ASTM B488, TYPE II, CODE C
	SPRING (CAGE)	GOLD	0.000010"MIN. GOLD PER ASTM B488, TYPE II, CODE C
	NUT	N/A	N/A
	SCREW	N/A	N/A
	STUD	N/A	N/A
	LUG	N/A	N/A

Continued on next page...

FINISH - PLATING OPTIONS CONTINUED:

01-2255-X-**XX**

FINISH CODE	COMPONENT	FINISH	FINISH AND SPECIFICATION
044	BODY	BRIGHT ELECTRO-TIN	0.000200"MIN. BRIGHT ELECTRO-TIN PER ASTM B545
	SPRING (CAGE)	BRIGHT ELECTRO-TIN	0.000200"MIN. BRIGHT ELECTRO-TIN PER ASTM B545
	NUT	N/A	N/A
	SCREW	N/A	N/A
	STUD	N/A	N/A
	LUG	N/A	N/A

TOLERANCES:\*

DECIMAL	FRACTIONAL	ANGULAR	DRAWING ORIGATION DATE	LAST MODIFICATION DATE
± 0.010	± 1/64	± 5°	11/9/2001	4/1/2017

\*All dimensions are in inches.

RoHS COMPLIANCE:

01-2255-2-XX

PART NUMBER	RoHS COMPLIANT
01-2255-2-01	YES
01-2255-2-02	YES
01-2255-2-03	YES
01-2255-2-044	YES

01-2255-3-XX

PART NUMBER	RoHS COMPLIANT
01-2255-3-01	YES
01-2255-3-02	YES
01-2255-3-03	YES
01-2255-3-044	YES

01-2255-5-XX

PART NUMBER	RoHS COMPLIANT
01-2255-5-01	YES
01-2255-5-02	YES
01-2255-5-03	YES
01-2255-5-044	YES

01-2255-6-XX

PART NUMBER	RoHS COMPLIANT
01-2255-6-01	YES
01-2255-6-02	YES
01-2255-6-03	YES
01-2255-6-044	YES

TOOLING:

INSTALLATION TOOL: ARBOR PRESS	INSTALLATION TOOL: ANVIL (ARBOR PRESS OPERATED)	INSTALLATION TOOL: PRESS-FIT / ROLL SWAGE / RIVET PUNCH (ARBOR PRESS OPERATED)
TM1	TA250-163-115	TP130-104

**NOTES:**

---

**DATASHEET NOTES**

SHORT SIZE SPRING FOR STANDARD SIZE BANANA JACK.

---

**INSTRUCTION NOTES**

SEE GENERAL SWAGING INSTALLATION INSTRUCTION ON CONCORD ELECTRONICS' WEBSITE [WWW.CONCORD-ELECTRONICS.COM](http://WWW.CONCORD-ELECTRONICS.COM).

---