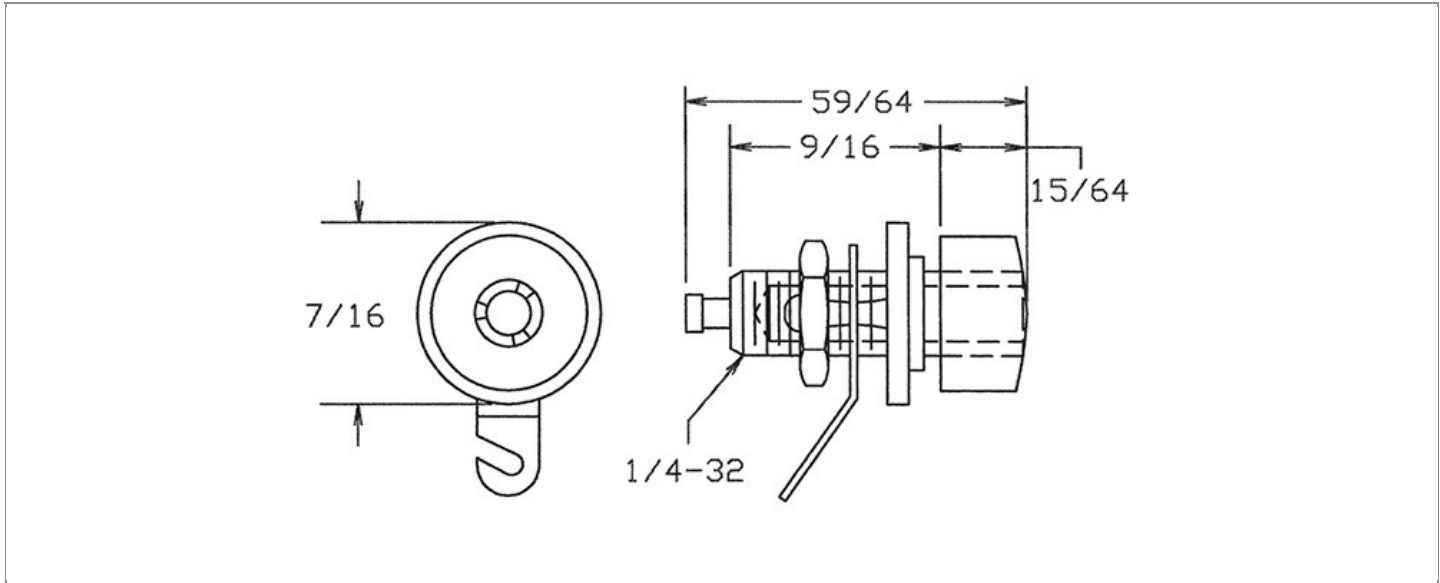


DRAWING NUMBER:	09-9251-1-XXXX
PRODUCT GROUP:	PANEL JACKS AND TERMINALS
SUB-GROUP:	PANEL JACKS AND TERMINALS - THREAD MOUNT
DESCRIPTION:	PANEL JACK - METAL THREAD



ACCEPTS PIN / PLUG / JACK SIZE	MIN. HOLE DEPTH	MOUNTING ORIENTATION	BOARD / PANEL MOUNTING METHOD
0.080" ± 0.001	0.650"	VERTICAL	THREAD MOUNT (1/4-32 NUT)
MOUNTING HOLE SIZE	BOARD / PANEL THICKNESS	FEED THRU COMBINATION	OVERALL LENGTH
0.257" ± 0.002	UP TO 3/16"	JACK/TURRET	0.922"

PART NO. STRUCTURE:

09-9251	-	1	-	XX	XX
PART SERIES		DIMENSION		FINISH	INSULATION COLOR

MATERIAL OPTIONS:

09-9251-1-XXXX

COMPONENT	MATERIAL	MATERIAL AND SPECIFICATION
BODY	BRASS	BRASS
SPRING (CAGE)	BERYLLIUM COPPER	BERYLLIUM COPPER
INSULATION*	NYLON	NYLON
BASE/METAL SLEEVE	N/A	N/A
NUT	BRASS	BRASS
WASHER	N/A	N/A
LUG	BRASS	BRASS

*For Insulation color, please see INSULATION COLOR OPTIONS on Page 2

FINISH - PLATING OPTIONS:

09-9251-1-XXXX

FINISH CODE	COMPONENT	FINISH	FINISH AND SPECIFICATION
02	BODY	NICKEL	NICKEL
	SPRING (CAGE)	GOLD	GOLD
	BASE/METAL SLEEVE	N/A	N/A
	NUT	NICKEL	NICKEL
	WASHER	N/A	N/A
	LUG	ELECTRO-TIN	ELECTRO-TIN

INSULATION COLOR OPTIONS:

09-9251-1-XXXX

INSULATION COLOR	BLACK	RED
COLOR CODE NO.	10	12

TOLERANCES:*

DECIMAL	FRACTIONAL	ANGULAR	DRAWING ORIENTATION DATE	LAST MODIFICATION DATE
± 0.010	± 1/64	± 5 °	9/29/1998	1/1/2017

*All dimensions are in inches.

RoHS COMPLIANCE:

09-9251-1-02XX

PART NUMBER	RoHS COMPLIANT
09-9251-1-0210	YES
09-9251-1-0212	YES

MILITARY REFERENCE SPECIFICATIONS:

09-9251-1-02XX

PART NUMBER	MIL SPECIFICATION	MIL PART NUMBER
09-9251-1-0210	N/A	N/A
09-9251-1-0212	N/A	N/A

NOTES:

DATASHEET NOTES

NUT PART NO.: 701-7416-02.

INSTRUCTION NOTES

SUPPLIED WITH NICKEL PLATED BRASS HEX NUT (1/4-32 x 11/32" x 3/32") AND MOLDED NULON HEAD AND WASHER.