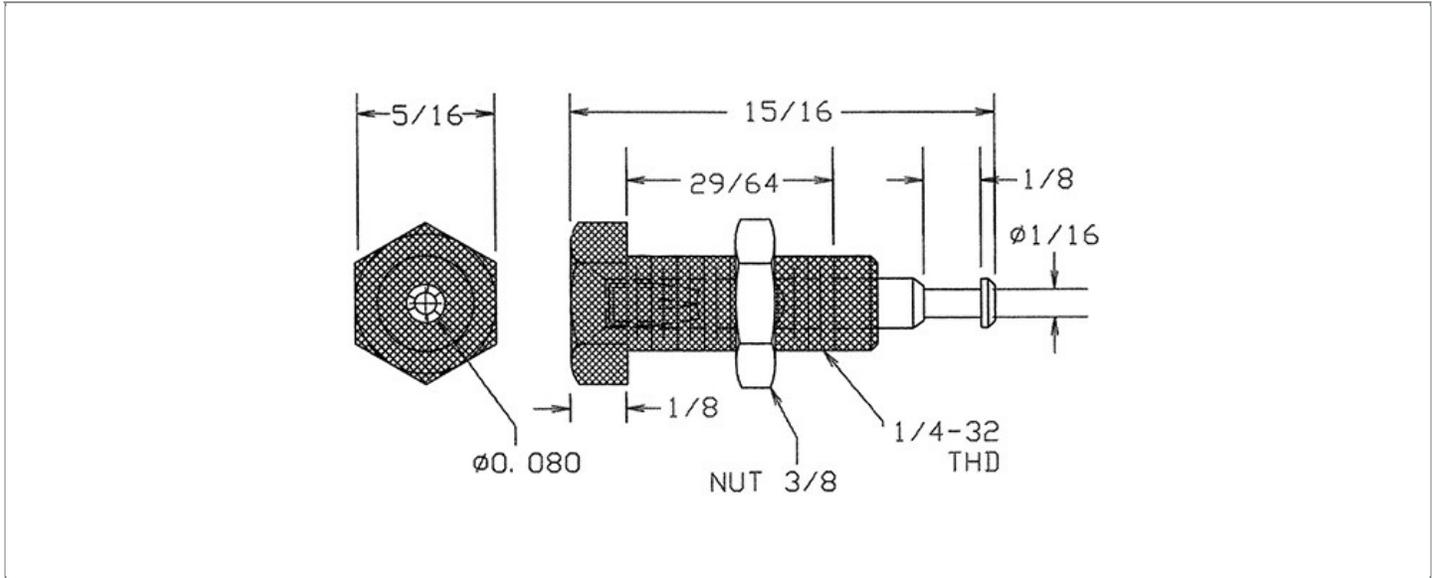


DRAWING NUMBER:	09-9150-1-XXXX
PRODUCT GROUP:	PANEL JACKS AND TERMINALS
SUB-GROUP:	PANEL JACKS AND TERMINALS - THREAD MOUNT
DESCRIPTION:	PANEL JACK - PLASTIC THREAD



ACCEPTS PIN / PLUG / JACK SIZE	MIN. HOLE DEPTH	MOUNTING ORIENTATION	BOARD / PANEL MOUNTING METHOD
0.080" ± 0.001	0.370"	VERTICAL	THREAD MOUNT (1/4-32 NUT)
MOUNTING HOLE SIZE	BOARD / PANEL THICKNESS	FEED THRU COMBINATION	OVERALL LENGTH
0.257" ± 0.002	UP TO 3/16"	JACK/TURRET	0.9375"

PART NO. STRUCTURE:

09-9150	-	1	-	XX	XX
PART SERIES		DIMENSION		FINISH	INSULATION COLOR

MATERIAL OPTIONS:

09-9150-1-XXXX

COMPONENT	MATERIAL	MATERIAL AND SPECIFICATION
BODY	BRASS	BRASS PER ASTM B16, ALLOY C36000, 1/2 HARD
SPRING (CAGE)	BERYLLIUM COPPER	BERYLLIUM COPPER PER ASTM B194, ALLOY C17200
INSULATION*	NYLON	NYLON PER ASTM D4066
BASE/METAL SLEEVE	N/A	N/A
NUT	BRASS	BRASS PER ASTM B16, ALLOY C36000, 1/2 HARD
WASHER	N/A	N/A
LUG	N/A	N/A

*For Insulation color, please see INSULATION COLOR OPTIONS on Page 2

FINISH - PLATING OPTIONS:

09-9150-1-XXXX

FINISH CODE	COMPONENT	FINISH	FINISH AND SPECIFICATION
03	BODY	GOLD	0.000010"MIN. GOLD PER ASTM B488, TYPE II, CODE C OVER 0.000100"MIN. NICKEL PER SAE-AMS-QQ-N-290, CLASS 2
	SPRING (CAGE)	GOLD	0.000030"MIN. GOLD PER ASTM B488, TYPE II, CODE C OVER 0.000100"MIN. NICKEL PER SAE-AMS-QQ-N-290, CLASS 2
	BASE/METAL SLEEVE	N/A	N/A
	NUT	NICKEL	0.000100"MIN. NICKEL PER SAE-AMS-QQ-N-290, CLASS 2
	WASHER	N/A	N/A
	LUG	N/A	N/A
035	BODY	GOLD	0.000020"MIN. GOLD PER ASTM B488, TYPE II, CODE C OVER 0.000100"MIN. NICKEL PER SAE-AMS-QQ-N-290, CLASS 2
	SPRING (CAGE)	GOLD	0.000050"MIN. GOLD PER ASTM B488, TYPE II, CODE C OVER 0.000100"MIN. NICKEL PER SAE-AMS-QQ-N-290, CLASS 2
	BASE/METAL SLEEVE	N/A	N/A
	NUT	NICKEL	0.000100"MIN. NICKEL PER SAE-AMS-QQ-N-290, CLASS 2
	WASHER	N/A	N/A
	LUG	N/A	N/A
044	BODY	BRIGHT ELECTRO-TIN	0.000200"MIN. BRIGHT ELECTRO-TIN PER ASTM B545 OVER 0.000100"MIN. NICKEL PER SAE-AMS-QQ-N-290, CLASS 2
	SPRING (CAGE)	BRIGHT ELECTRO-TIN	0.000200"MIN. BRIGHT ELECTRO-TIN PER ASTM B545 OVER 0.000100"MIN. NICKEL PER SAE-AMS-QQ-N-290, CLASS 2
	BASE/METAL SLEEVE	N/A	N/A
	NUT	NICKEL	0.000100"MIN. NICKEL PER SAE-AMS-QQ-N-290, CLASS 2
	WASHER	N/A	N/A
	LUG	N/A	N/A

INSULATION COLOR OPTIONS:

09-9150-1-XXXX

INSULATION COLOR	BLACK	BLUE	BROWN	GRAY	GREEN	ORANGE	RED	VIOLET	WHITE	YELLOW
COLOR CODE NO.	10	16	11	18	15	13	12	17	19	14

TOLERANCES:*

DECIMAL	FRACTIONAL	ANGULAR	DRAWING ORIGATION DATE	LAST MODIFICATION DATE
± 0.010	± 1/64	± 5°	9/11/1998	1/1/2017

*All dimensions are in inches.

RoHS COMPLIANCE:

09-9150-1-03XX

PART NUMBER	RoHS COMPLIANT
09-9150-1-0310	YES
09-9150-1-0311	YES
09-9150-1-0312	YES
09-9150-1-0313	YES
09-9150-1-0314	YES
09-9150-1-0315	YES
09-9150-1-0316	YES
09-9150-1-0317	YES
09-9150-1-0318	YES
09-9150-1-0319	YES

09-9150-1-035XX

PART NUMBER	RoHS COMPLIANT
09-9150-1-03510	YES
09-9150-1-03511	YES
09-9150-1-03512	YES
09-9150-1-03513	YES
09-9150-1-03514	YES
09-9150-1-03515	YES
09-9150-1-03516	YES
09-9150-1-03517	YES
09-9150-1-03518	YES
09-9150-1-03519	YES

09-9150-1-044XX

PART NUMBER	RoHS COMPLIANT
09-9150-1-04410	YES
09-9150-1-04411	YES
09-9150-1-04412	YES
09-9150-1-04413	YES
09-9150-1-04414	YES
09-9150-1-04415	YES
09-9150-1-04416	YES
09-9150-1-04417	YES
09-9150-1-04418	YES
09-9150-1-04419	YES

MILITARY REFERENCE SPECIFICATIONS:

09-9150-1-03XX

PART NUMBER	MIL SPECIFICATION	MIL PART NUMBER
09-9150-1-0310	N/A	N/A
09-9150-1-0311	N/A	N/A
09-9150-1-0312	N/A	N/A
09-9150-1-0313	N/A	N/A
09-9150-1-0314	N/A	N/A
09-9150-1-0315	N/A	N/A
09-9150-1-0316	N/A	N/A
09-9150-1-0317	N/A	N/A
09-9150-1-0318	N/A	N/A
09-9150-1-0319	N/A	N/A

09-9150-1-035XX

PART NUMBER	MIL SPECIFICATION	MIL PART NUMBER
09-9150-1-03510	N/A	N/A
09-9150-1-03511	N/A	N/A
09-9150-1-03512	N/A	N/A
09-9150-1-03513	N/A	N/A
09-9150-1-03514	N/A	N/A
09-9150-1-03515	N/A	N/A
09-9150-1-03516	N/A	N/A
09-9150-1-03517	N/A	N/A
09-9150-1-03518	N/A	N/A
09-9150-1-03519	N/A	N/A

09-9150-1-044XX

PART NUMBER	MIL SPECIFICATION	MIL PART NUMBER
09-9150-1-04410	N/A	N/A
09-9150-1-04411	N/A	N/A
09-9150-1-04412	N/A	N/A
09-9150-1-04413	N/A	N/A
09-9150-1-04414	N/A	N/A
09-9150-1-04415	N/A	N/A
09-9150-1-04416	N/A	N/A

Continued on next page...

MILITARY REFERENCE SPECIFICATIONS CONTINUED:

09-9150-1-044XX

PART NUMBER	MIL SPECIFICATION	MIL PART NUMBER
09-9150-1-04417	N/A	N/A
09-9150-1-04418	N/A	N/A
09-9150-1-04419	N/A	N/A

NOTES:

DATASHEET NOTES

NUT PART NO.: 701-7415-02.

INSTRUCTION NOTES

SUPPLIED WITH NICKEL PLATED BRASS HEX NUT (1/4-32 x 3/8" x 3/32").