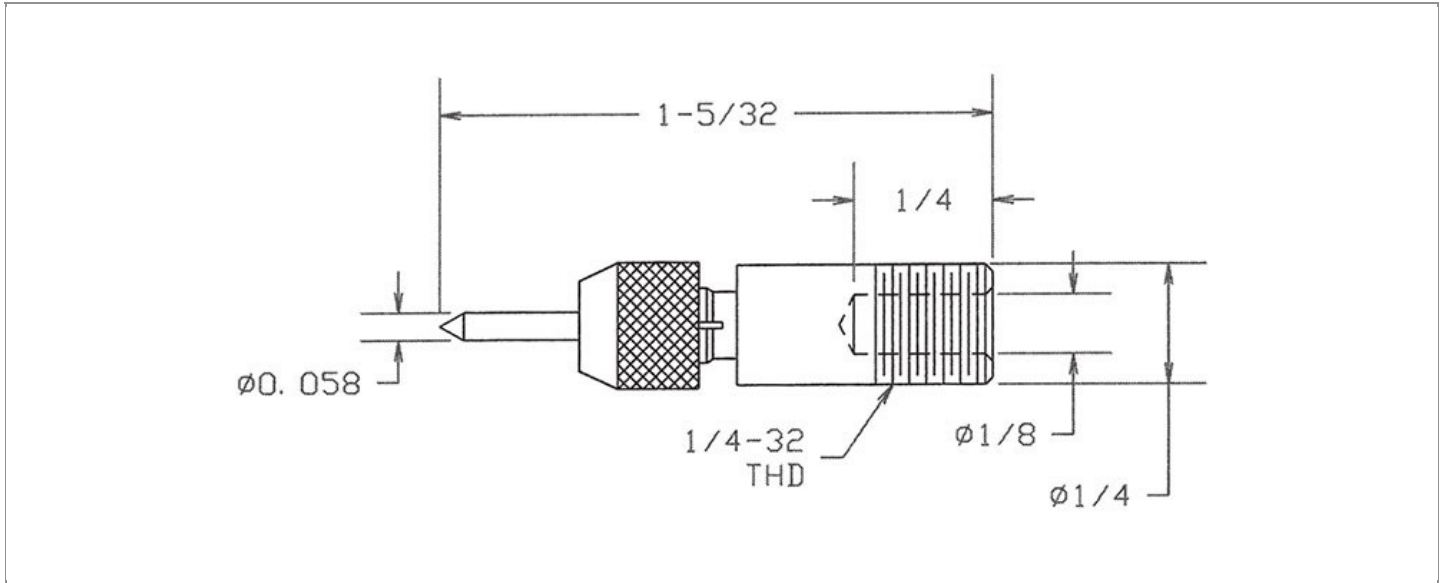


<b>DRAWING NUMBER:</b>	<b>01-4107-1-XX</b>
<b>PRODUCT GROUP:</b>	BANANA PLUGS, JACKS AND PHONE TIPS
<b>SUB-GROUP:</b>	NON-INSULATED PHONE TIPS
<b>DESCRIPTION:</b>	NON-INSULATED PHONE NEEDLE PLUG, THREAD MOUNT



ACCEPTS PIN / PLUG / JACK SIZE	OVERALL LENGTH	PIN DIAMETER	MIN. HOLE DEPTH
N/A	1.156"	0.058"	0.290"

### PART NO. STRUCTURE:

<b>01-4107</b>	-	<b>1</b>	-	<b>XX</b>
PART SERIES		DIMENSION		FINISH

### MATERIAL OPTIONS:

**01-4107-1-XX**

COMPONENT	MATERIAL	MATERIAL AND SPECIFICATION
<b>BODY</b>	BRASS	BRASS PER ASTM B16, ALLOY C36000, 1/2 HARD

### FINISH - PLATING OPTIONS:

**01-4107-1-XX**

FINISH CODE	COMPONENT	FINISH	FINISH AND SPECIFICATION
<b>02</b>	<b>BODY</b>	NICKEL	0.000100"MIN. NICKEL PER SAE-AMS-QQ-N-290

### TOLERANCES:\*

DECIMAL	FRACTIONAL	ANGULAR	DRAWING ORIGATION DATE	LAST MODIFICATION DATE
± 0.005	± 1/64	± 5°	8/26/1998	4/1/2017

\*All dimensions are in inches.

RoHS COMPLIANCE:

---

01-4107-1-XX

PART NUMBER	RoHS COMPLIANT
01-4107-1-02	YES

---

NOTES:

---

**DATASHEET NOTES**

RATED: 12 AMPERES CONTINUOUS DUTY. PIN VISE DESIGN FOR EASY REMOVAL AND REPLACEMENT OF NEEDLE.

---

**INSTRUCTION NOTES**

WIRE TO BE SOLDERED IN PLUG BODY. SUPPLIED WITH NICKEL PLATED STEEL NEEDLE AND NICKEL PLATED BRASS 1/4-32 THREADED COLLAR.

---