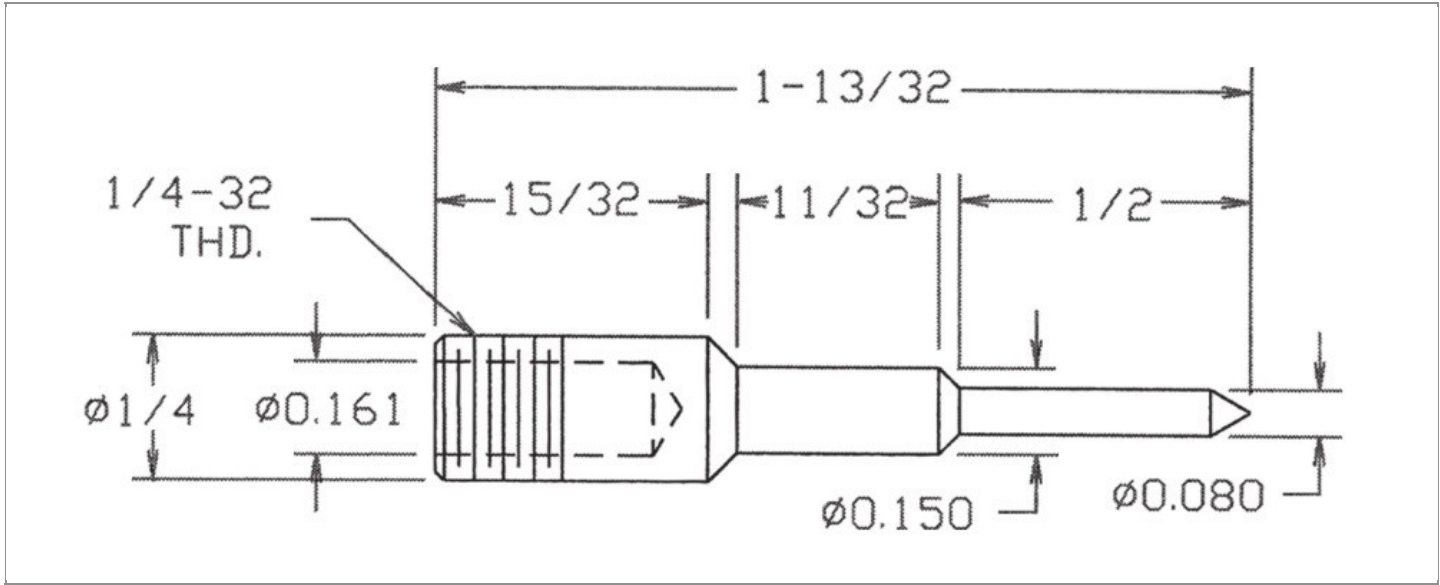


<b>DRAWING NUMBER:</b>	<b>01-4106-1-XX</b>
<b>PRODUCT GROUP:</b>	BANANA PLUGS, JACKS AND PHONE TIPS
<b>SUB-GROUP:</b>	NON-INSULATED PHONE TIPS
<b>DESCRIPTION:</b>	NON-INSULATED PHONE TIP PLUG, THREAD MOUNT



ACCEPTS PIN / PLUG / JACK SIZE	OVERALL LENGTH	PIN DIAMETER	MIN. HOLE DEPTH
STANDARD PHONE TIP JACK	1.406"	0.080"	0.370"

### PART NO. STRUCTURE:

01-4106 - 1 - XX  
 PART SERIES    DIMENSION    FINISH

### MATERIAL OPTIONS:

01-4106-1-XX

COMPONENT	MATERIAL	MATERIAL AND SPECIFICATION
BODY	BRASS	BRASS PER ASTM B16, ALLOY C36000, 1/2 HARD

### FINISH - PLATING OPTIONS:

01-4106-1-XX

FINISH CODE	COMPONENT	FINISH	FINISH AND SPECIFICATION
02	BODY	NICKEL	0.000100"MIN. NICKEL PER SAE-AMS-QQ-N-290

### TOLERANCES:\*

DECIMAL	FRACTIONAL	ANGULAR	DRAWING ORIGATION DATE	LAST MODIFICATION DATE
± 0.005	± 1/64	± 5°	9/10/1998	4/1/2017

\*All dimensions are in inches.

RoHS COMPLIANCE:

---

01-4106-1-XX

PART NUMBER	RoHS COMPLIANT
01-4106-1-02	YES

---

NOTES:

---

**DATASHEET NOTES**

RATED: 12 AMPERES CONTINUOUS DUTY. REAR HOLE CAN BE USED AS A BANANA JACK OR A SOLDER WELL.

---

**INSTRUCTION NOTES**

WIRE TO BE SOLDERED IN PLUG BODY.

---