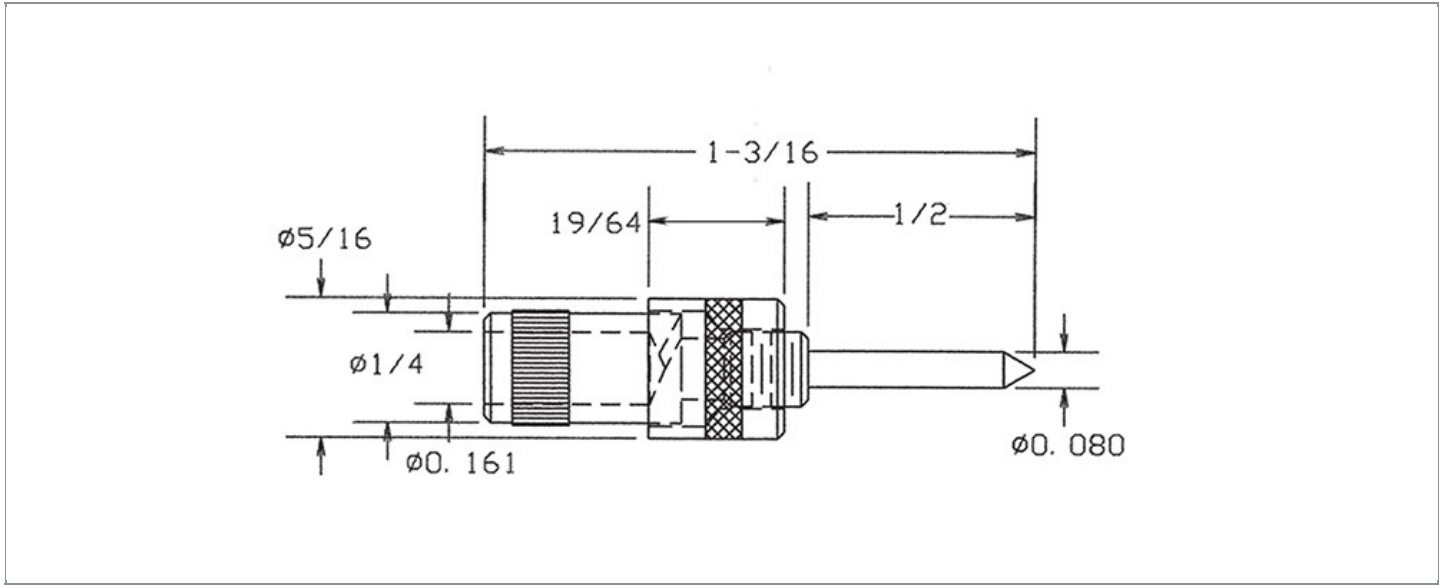


<b>DRAWING NUMBER:</b>	<b>01-4102-1-XX</b>
<b>PRODUCT GROUP:</b>	BANANA PLUGS, JACKS AND PHONE TIPS
<b>SUB-GROUP:</b>	NON-INSULATED PHONE TIPS
<b>DESCRIPTION:</b>	NON-INSULATED PHONE TIP PLUG, PRESS MOUNT



ACCEPTS PIN / PLUG / JACK SIZE	OVERALL LENGTH	PIN DIAMETER	MIN. HOLE DEPTH
STANDARD PHONE TIP JACK	1.188"	0.080"	0.370"

**PART NO. STRUCTURE:**

<b>01-4102</b>	-	<b>1</b>	-	<b>XX</b>
PART SERIES		DIMENSION		FINISH

**MATERIAL OPTIONS:**

**01-4102-1-XX**

COMPONENT	MATERIAL	MATERIAL AND SPECIFICATION
<b>BODY</b>	BRASS	BRASS PER ASTM B16, ALLOY C36000, 1/2 HARD

**FINISH - PLATING OPTIONS:**

**01-4102-1-XX**

FINISH CODE	COMPONENT	FINISH	FINISH AND SPECIFICATION
<b>02</b>	<b>BODY</b>	NICKEL	0.000100"MIN. NICKEL PER SAE-AMS-QQ-N-290

**TOLERANCES:\***

DECIMAL	FRACTIONAL	ANGULAR	DRAWING ORIGATION DATE	LAST MODIFICATION DATE
± 0.005	± 1/64	± 5°	11/12/2001	4/1/2017

\*All dimensions are in inches.

RoHS COMPLIANCE:

---

01-4102-1-XX

PART NUMBER	RoHS COMPLIANT
01-4102-1-02	YES

---

NOTES:

---

**DATASHEET NOTES**

RATED: 12 AMPERES CONTINUOUS DUTY.

---

**INSTRUCTION NOTES**

WIRE IS INSERTED THRU REAR AND CROSS HOLES IN PLUG BODY AND THEN WRAPPED AROUND THREADED PORTION. 1/4-32 THREADED COLLAR TIGHTENS DOWN WIRE. SUPPLIED WITH NICKEL PLATED BRASS 1/4-32 THREADED COLLAR.

---