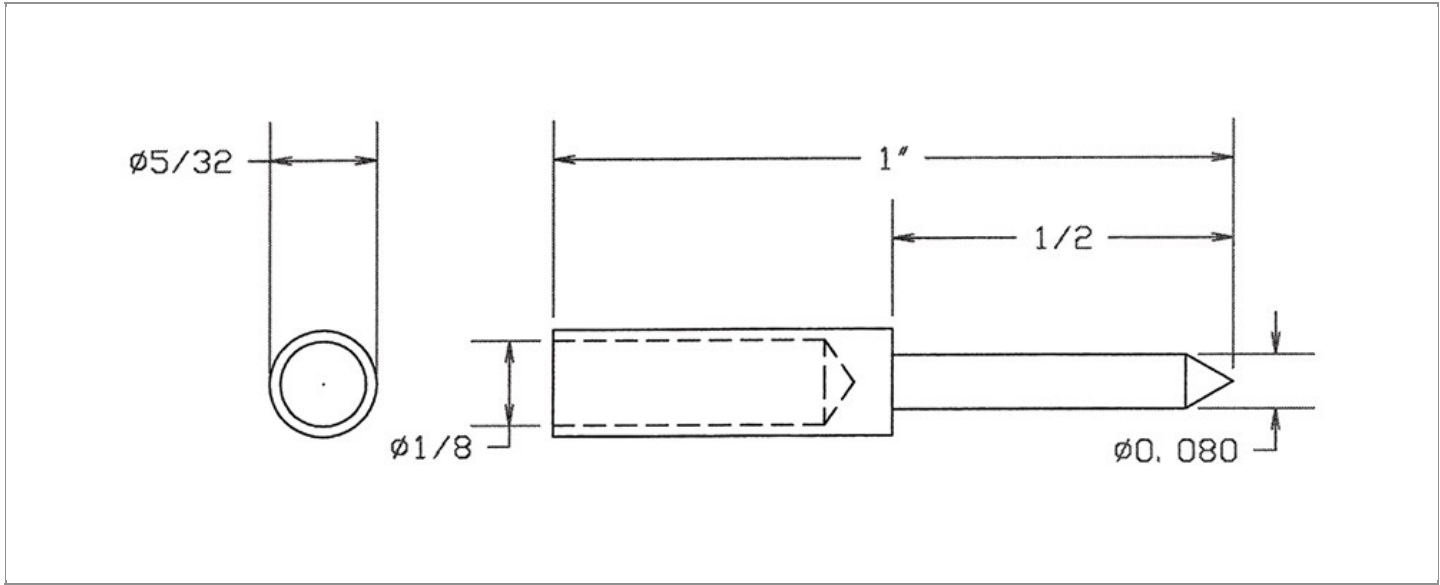


| | |
|------------------------|---|
| DRAWING NUMBER: | 01-4003-1-XX |
| PRODUCT GROUP: | BANANA PLUGS, JACKS AND PHONE TIPS |
| SUB-GROUP: | NON-INSULATED PHONE TIPS |
| DESCRIPTION: | NON-INSULATED PHONE TIP PLUG, SOLDER TYPE |



| ACCEPTS PIN / PLUG / JACK SIZE | OVERALL LENGTH | PIN DIAMETER | MIN. HOLE DEPTH |
|-----------------------------------|----------------|--------------|-----------------|
| STANDARD PHONE TIP JACK | 1.000" | 0.080" | 0.370" |

PART NO. STRUCTURE:

| | | | | |
|----------------|---|-----------|---|-----------|
| 01-4003 | - | 1 | - | XX |
| PART SERIES | | DIMENSION | | FINISH |

MATERIAL OPTIONS:

01-4003-1-XX

| COMPONENT | MATERIAL | MATERIAL AND SPECIFICATION |
|-------------|----------|--|
| BODY | BRASS | BRASS PER ASTM B16, ALLOY C36000, 1/2 HARD |

FINISH - PLATING OPTIONS:

01-4003-1-XX

| FINISH CODE | COMPONENT | FINISH | FINISH AND SPECIFICATION |
|-------------|-------------|--------|---|
| 02 | BODY | NICKEL | 0.000100"MIN. NICKEL PER SAE-AMS-QQ-N-290 |

TOLERANCES:*

| DECIMAL | FRACTIONAL | ANGULAR | DRAWING ORIGATION DATE | LAST MODIFICATION DATE |
|---------|------------|---------|------------------------|------------------------|
| ± 0.005 | ± 1/64 | ± 5° | 1/12/1999 | 4/1/2017 |

*All dimensions are in inches.

RoHS COMPLIANCE:

01-4003-1-XX

| PART NUMBER | RoHS COMPLIANT |
|--------------|----------------|
| 01-4003-1-02 | YES |

NOTES:

DATASHEET NOTES

RATED: 12 AMPERES CONTINUOUS DUTY.

INSTRUCTION NOTES

WIRE TO BE SOLDERED IN PLUG BODY.
