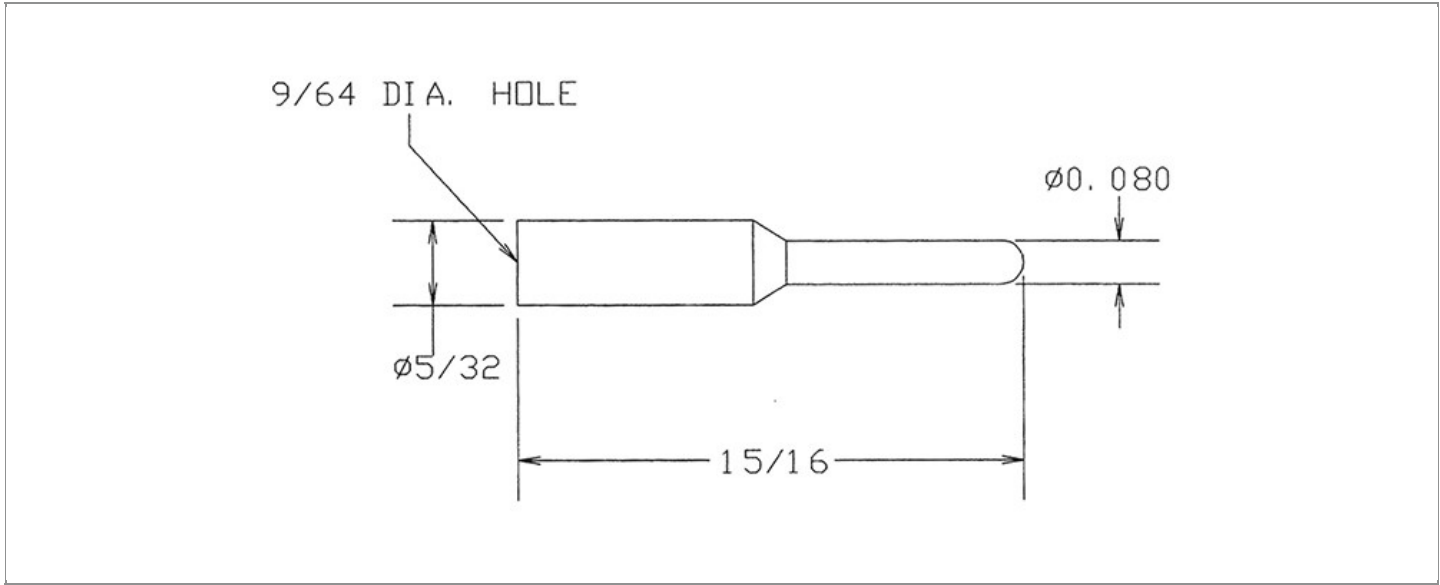


| | |
|------------------------|---|
| DRAWING NUMBER: | 01-4001-1-XX |
| PRODUCT GROUP: | BANANA PLUGS, JACKS AND PHONE TIPS |
| SUB-GROUP: | NON-INSULATED PHONE TIPS |
| DESCRIPTION: | NON-INSULATED PHONE TIP PLUG, SOLDER TYPE |



| ACCEPTS PIN / PLUG / JACK SIZE | OVERALL LENGTH | PIN DIAMETER | MIN. HOLE DEPTH |
|-----------------------------------|----------------|--------------|-----------------|
| STANDARD PHONE TIP JACK | 0.938" | 0.080" | 0.470" |

PART NO. STRUCTURE:

01-4001 - 1 - XX
 PART SERIES DIMENSION FINISH

MATERIAL OPTIONS:

01-4001-1-XX

| COMPONENT | MATERIAL | MATERIAL AND SPECIFICATION |
|-----------|----------|--|
| BODY | BRASS | BRASS PER ASTM B16, ALLOY C36000, 1/2 HARD |

FINISH - PLATING OPTIONS:

01-4001-1-XX

| FINISH CODE | COMPONENT | FINISH | FINISH AND SPECIFICATION |
|-------------|-----------|--------|---|
| 02 | BODY | NICKEL | 0.000100"MIN. NICKEL PER SAE-AMS-QQ-N-290 |

TOLERANCES:*

| DECIMAL | FRACTIONAL | ANGULAR | DRAWING ORIGATION DATE | LAST MODIFICATION DATE |
|---------|------------|---------|------------------------|------------------------|
| ± 0.010 | ± 1/64 | NA | 9/18/1997 | 4/1/2017 |

*All dimensions are in inches.

RoHS COMPLIANCE:

01-4001-1-XX

| PART NUMBER | RoHS COMPLIANT |
|--------------|----------------|
| 01-4001-1-02 | YES |

NOTES:

DATASHEET NOTES

RATED: 12 AMPERES CONTINUOUS DUTY.

INSTRUCTION NOTES

WIRE TO BE SOLDERED IN PLUG BODY.
