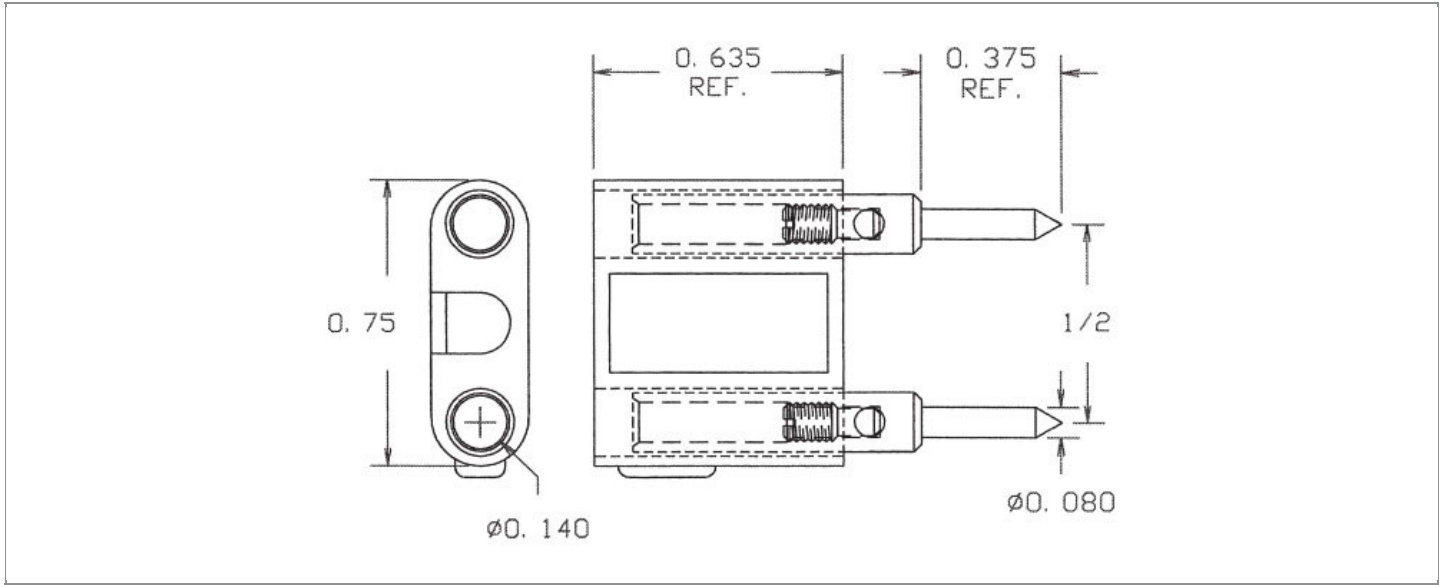


|                        |   |
|------------------------|---|
| <b>DRAWING NUMBER:</b> | <b>01-2523-1-XXXX</b>   |
| <b>PRODUCT GROUP:</b>  | BANANA PLUGS, JACKS AND PHONE TIPS                            |
| <b>SUB-GROUP:</b>      | INSULATED PHONE TIPS  |
| <b>DESCRIPTION:</b>    | INSULATED DUAL PHONE TIP PLUGS/MINIATURE BANANA JACKS ADAPTER |



| ACCEPTS<br>PIN / PLUG / JACK SIZE | OVERALL LENGTH | PIN DIAMETER |
|-----------------------------------|----------------|--------------|
| STANDARD PHONE TIP JACKS          | 1.174" REF.    | 0.080"       |

### PART NO. STRUCTURE:

|             |   |           |   |        |                  |
|-------------|---|-----------|---|--------|------------------|
| 01-2523     | - | 1         | - | XX     | XX               |
| PART SERIES |   | DIMENSION |   | FINISH | INSULATION COLOR |

### MATERIAL OPTIONS:

**01-2523-1-XXXX**

| COMPONENT   | MATERIAL | MATERIAL AND SPECIFICATION                 |
|-------------|----------|--|
| BODY        | BRASS    | BRASS PER ASTM B16, ALLOY C36000, 1/2 HARD |
| INSULATION* | ABS      | ABS PER ASTM D4673                         |

\*For Insulation color, please see INSULATION COLOR OPTIONS on Page 2

### FINISH - PLATING OPTIONS:

01-2523-1-**XX**XX

| FINISH CODE | COMPONENT | FINISH | FINISH AND SPECIFICATION                  |
|-------------|-----------|--------|---|
| 02          | BODY      | NICKEL | 0.000100"MIN. NICKEL PER SAE-AMS-QQ-N-290 |

INSULATION COLOR OPTIONS:

01-2523-1-XX **XX**

| INSULATION COLOR | BLACK | BLUE | BROWN | GRAY | GREEN | ORANGE | RED | VIOLET | WHITE | YELLOW |
|------------------|-------|------|-------|------|-------|--------|-----|--------|-------|--------|
| COLOR CODE NO.   | 10    | 16   | 11    | 18   | 15    | 13     | 12  | 17     | 19    | 14     |

TOLERANCES:\*

| DECIMAL                   | FRACTIONAL | ANGULAR | DRAWING ORIGINATION DATE | LAST MODIFICATION DATE |
|---------------------------|------------|---------|--------------------------|------------------------|
| .XXX ± 0.005 / .XX ± 0.01 | ± 1/64     | ± 5 °   | 11/26/2001               | 4/1/2017               |

\*All dimensions are in inches.

RoHS COMPLIANCE:

01-2523-1-02XX

| PART NUMBER    | RoHS COMPLIANT |
|----------------|----------------|
| 01-2523-1-0210 | YES            |
| 01-2523-1-0211 | YES            |
| 01-2523-1-0212 | YES            |
| 01-2523-1-0213 | YES            |
| 01-2523-1-0214 | YES            |
| 01-2523-1-0215 | YES            |
| 01-2523-1-0216 | YES            |
| 01-2523-1-0217 | YES            |
| 01-2523-1-0218 | YES            |
| 01-2523-1-0219 | YES            |

NOTES:

| DATASHEET NOTES |
|-----------------|
|-----------------|

DUAL PHONE TIP PLUGS ADAPTER, ACCEPTS MINIATURE BANANA PLUGS. ON 1/2" CENTERS.

| INSTRUCTION NOTES |
|-------------------|
|-------------------|

NICKEL PLATED STEEL SET SCREWS SECURE COMPONENT LEADS TO CONDUCTORS.