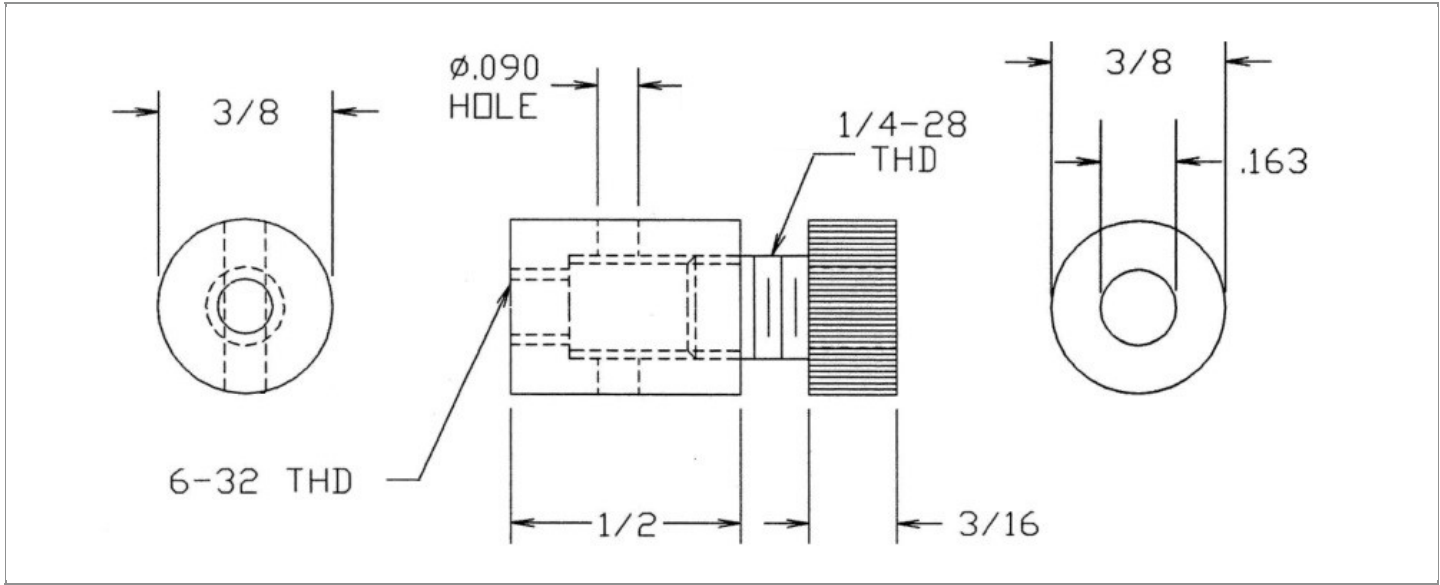


DRAWING NUMBER:	01-1050-1-XX
PRODUCT GROUP:	BINDING POSTS
SUB-GROUP:	COMMERCIAL GROUNDING BINDING POSTS
DESCRIPTION:	GROUNDING BINDING POST - ALL METAL



OVERALL LENGTH	BOARD / PANEL MOUNTING METHOD	MOUNTING HOLE SIZE	DRILL SIZE	BOARD / PANEL THICKNESS
0.688" MIN.	THREAD MOUNT (6-32 SCREW)	CLEARANCE FOR SCREW #6	#27	1/16" - 3/16"

PART NO. STRUCTURE:

01-1050	-	1	-	XX
PART SERIES		DIMENSION		FINISH

MATERIAL OPTIONS:

01-1050-1-XX

COMPONENT	MATERIAL	MATERIAL AND SPECIFICATION
BODY	BRASS	BRASS
HEAD	BRASS	BRASS
NUT	N/A	N/A
WASHER	N/A	N/A
SCREW	N/A	N/A

FINISH - PLATING OPTIONS:

01-1050-1-XX

FINISH CODE	COMPONENT	FINISH	FINISH AND SPECIFICATION
02	BODY	NICKEL	NICKEL
	HEAD	NICKEL	NICKEL
	NUT	N/A	N/A
	WASHER	N/A	N/A
	SCREW	N/A	N/A

TOLERANCES:*

DECIMAL	FRACTIONAL	ANGULAR	DRAWING ORIGATION DATE	LAST MODIFICATION DATE
± 0.010	± 1/64	N/A	5/7/1996	5/1/2017

*All dimensions are in inches.

RoHS COMPLIANCE:

01-1050-1-XX

PART NUMBER	RoHS COMPLIANT
01-1050-1-02	YES

NOTES:

DATASHEET NOTES
RATED: 15 AMPERES CONTINUOUS DUTY. ATTACHED TO BOARD WITH SCREW 6-32 (NOT INCLUDED). TOP HEAD ACCEPTS STANDARD BANANA PLUG. BODY ACCEPTS 0.080" PHONE TIP PLUG. WIRE OR FLAT LUG CAN BE CLAMPED BETWEEN HEAD AND BODY.
INSTRUCTION NOTES
N/A